



# Dongguan Roche Industrial Co.,Ltd

Your Professional flight case hardware & accessories  
manufacturer

# Are you struggling with client complaints about the quality of your flight case hardware and accessories?

Are you satisfied with your current flight case hardware suppliers?  
Do you want a reliable flight case hardware manufacturer to make your business take off?

## ROCHE HARDWARE IS HERE FOR YOU



As a leading manufacturer of different flight case hardware, Roche has over 12 years experience in the market place.

Our product include: Flight Case Recessed Handles,Flight Case Butterfly Latches, Flight Case Spring Toggle Latches,Flight Case Latch Lock,Flight Case Catch Plate,Heavy Duty Ball Corner.

You can trust our quality because all Roche have passed ISO and Rohs certifications.

We have an extraordinary design team, a mold manufacturing factory with over 2,000 molds in stock saving you money, top class die casting technology, top class polishing technology, top class surface treatment technology, and we have a professional QC inspection and packaging team.

Roche has 12 years experience in exporting flight case hardware to Europe, North America, and the Australian markets. Roche knows more about the flight case hardware market than local dealers!



Roche knows flight case hardware and accessories, knows client requirements, and knows the whole flight case hardware and accessories market.

We will help you gain more revenue with our high quality flight case hardware and accessories.

Roche exports 20 Million sets of flight case hardware and accessories to the global market every year, with extremely fast delivery!

In order to ensure the highest quality, every set of Roche flight case hardware and accessories must be fully inspected before shipping.

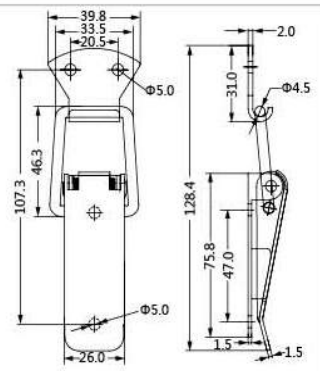
Roche aims to be the full flight case hardware and accessories solution for your clients.



**LET ROCHE SUPPORT YOUR  
BUSINESS RIGHT NOW.**



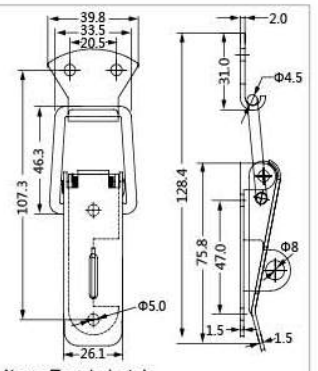
**MODEL:J001**



型号：J001  
 名称：搭扣  
 材质：铁/不锈钢  
 表面处理：  
 铁：镀镍/镀锌/镀铬/电泳  
 不锈钢：振光  
 产品净重：87.4g  
 承重：180kg  
 包装：300套/箱  
 应用范围：食品加工机、工业设备、防疫设备、医疗用品设备箱，运输设备

Item: Toggle Latch  
 Material: Mild Steel/ Stainless Steel  
 Finish:  
 1. Nickel/zinc/chrome Plated For Mild Steel  
 2. Electrophoresis For Mild Steel  
 3. Tumbled For Stainless Steel  
 Net Weight: 87.4g  
 Bearing Capacity: 180kg  
 Packing: 300pcs/ctn  
 Application: Refrigerated Truckle; Freezer Truck; Electric Cabinet; Electronic Communication Equipment

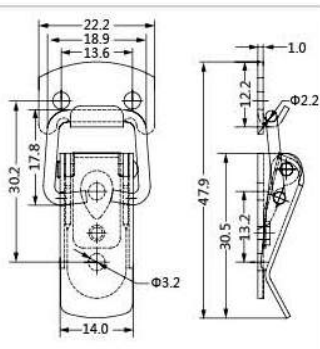
**MODEL:J002**



名称：搭扣  
 材质：铁/不锈钢  
 表面处理：  
 铁：镀镍/镀锌/镀铬/电泳  
 不锈钢：振光  
 产品净重：85.8g  
 承重：180kg  
 包装：300套/箱  
 应用范围：食品加工机、工业设备、防疫设备、医疗用品设备箱，运输设备

Item: Toggle Latch  
 Material: Mild Steel/ Stainless Steel  
 Finish:  
 1. Nickel/zinc/chrome Plated For Mild Steel  
 2. Electrophoresis For Mild Steel  
 3. Tumbled For Stainless Steel  
 Net Weight: 85.8g  
 Bearing Capacity: 180kg  
 Packing: 300pcs/ctn  
 Application: Refrigerated Truckle; Freezer Truck; Electric Cabinet; Electronic Communication Equipment

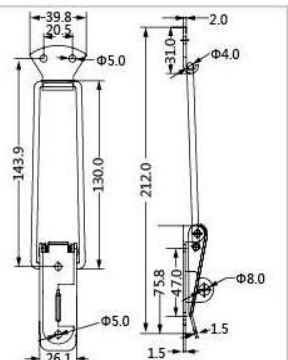
**MODEL:J007**



名称：搭扣  
 材质：铁/不锈钢  
 表面处理：  
 铁：镀镍/镀锌/镀铬/电泳  
 不锈钢：振光  
 产品净重：10.7g  
 承重：40kg  
 包装：2000套/箱  
 应用范围：食品加工机、工业设备、防疫设备、医疗用品设备箱，运输设备

Item: Toggle Latch  
 Material: Mild Steel/ Stainless Steel  
 Finish:  
 1. Nickel/zinc/chrome Plated For Mild Steel  
 2. Electrophoresis For Mild Steel  
 3. Tumbled For Stainless Steel  
 Net Weight: 10.7g  
 Bearing Capacity: 40kg  
 Packing: 2000pcs/ctn  
 Application: Refrigerated Truckle; Freezer Truck; Electric Cabinet; Electronic Communication Equipment

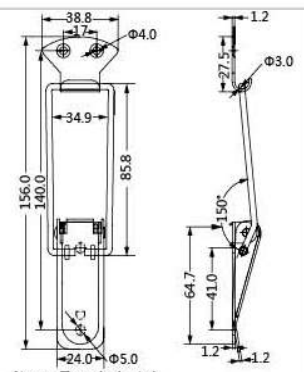
**MODEL:J012**



名称：搭扣  
 材质：铁/不锈钢  
 表面处理：  
 铁：镀镍/镀锌/镀铬/电泳  
 不锈钢：振光  
 产品净重：97.2g  
 承重：160kg  
 包装：200套/箱  
 应用范围：食品加工机、工业设备、防疫设备、医疗用品设备箱，运输设备

Item: Toggle Latch  
 Material: Mild Steel/ Stainless Steel  
 Finish:  
 1. Nickel/zinc/chrome Plated For Mild Steel  
 2. Electrophoresis For Mild Steel  
 3. Tumbled For Stainless Steel  
 Net Weight: 97.2g  
 Bearing Capacity: 160kg  
 Packing: 200pcs/ctn  
 Application: Refrigerated Truckle; Freezer Truck; Electric Cabinet; Electronic Communication Equipment

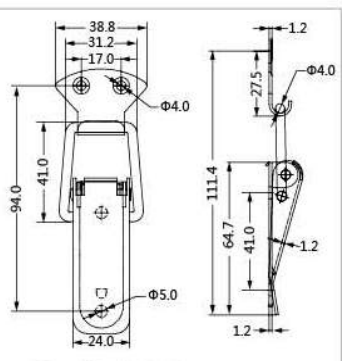
**MODEL:J100**



名称：搭扣  
 材质：铁/不锈钢  
 表面处理：  
 铁：镀镍/镀锌/镀铬/电泳  
 不锈钢：振光  
 产品净重：54.6g  
 承重：40kg  
 包装：500套/箱  
 应用范围：食品加工机、工业设备、防疫设备、医疗用品设备箱，运输设备

Item: Toggle Latch  
 Material: Mild Steel/ Stainless Steel  
 Finish:  
 1. Nickel/zinc/chrome Plated For Mild Steel  
 2. Electrophoresis For Mild Steel  
 3. Tumbled For Stainless Steel  
 Net Weight: 54.6g  
 Bearing Capacity: 40kg  
 Packing: 500 pcs/ctn  
 Application: Refrigerated Truckle; Freezer Truck; Electric Cabinet; Electronic Communication Equipment

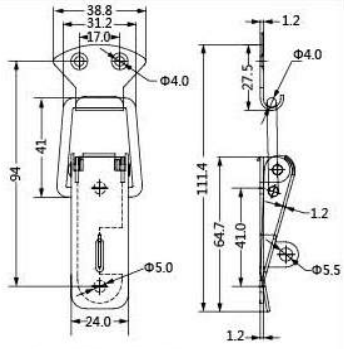
**MODEL:J101**



名称：搭扣  
 材质：铁/不锈钢  
 表面处理：  
 铁：镀镍/镀锌/镀铬/电泳  
 不锈钢：振光  
 产品净重：55.3g  
 承重：120kg  
 包装：500套/箱  
 应用范围：食品加工机、工业设备、防疫设备、医疗用品设备箱，运输设备

Item: Toggle Latch  
 Material: Mild Steel/ Stainless Steel  
 Finish:  
 1. Nickel/zinc/chrome Plated For Mild Steel  
 2. Electrophoresis For Mild Steel  
 3. Tumbled For Stainless Steel  
 Net Weight: 55.3g  
 Bearing Capacity: 120kg  
 Packing: 500pcs/ctn  
 Application: Refrigerated Truckle; Freezer Truck; Electric Cabinet; Electronic Communication Equipment

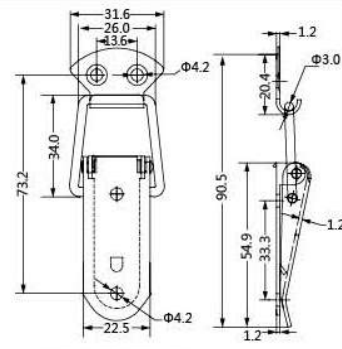
**MODEL:J102**



**名称:** 搭扣  
**材质:** 铁/不锈钢  
**表面处理:**  
 铁: 镀镍/镀锌/镀铬/电泳  
 不锈钢: 抛光  
**产品净重:** 55.3g  
**承重:** 120kg  
**包装:** 500套/箱  
**应用范围:** 食品加工机、工业设备、防疫设备、医疗用品设备箱, 运输设备

**Item:** Toggle Latch  
**Material:** Mild Steel/ Stainless Steel  
**Finish:**  
 1. Nickel/zinc/chrome Plated For Mild Steel  
 2. Electrophoresis For Mild Steel  
 3. Tumbled For Stainless Steel  
**Net Weight:** 55.3g  
**Bearing Capacity:** 120kg  
**Packing:** 500 pcs/ctn  
**Application:** Refrigerated Truckle; Freezer Truck; Electric Cabinet; Electronic Communication Equipment

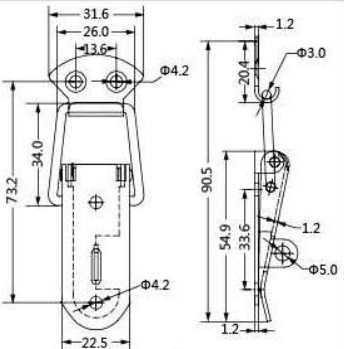
**MODEL:J103**



**名称:** 搭扣  
**材质:** 铁/不锈钢  
**表面处理:**  
 铁: 镀镍/镀锌/镀铬/电泳  
 不锈钢: 抛光  
**产品净重:** 35.7g  
**承重:** 90kg  
**包装:** 500套/箱  
**应用范围:** 食品加工机、工业设备、防疫设备、医疗用品设备箱, 运输设备

**Item:** Toggle Latch  
**Material:** Mild Steel/ Stainless Steel  
**Finish:**  
 1. Nickel/zinc/chrome Plated For Mild Steel  
 2. Electrophoresis For Mild Steel  
 3. Tumbled For Stainless Steel  
**Net Weight:** 35.7g  
**Bearing Capacity:** 90kg  
**Packing:** 500 pcs/ctn  
**Application:** Refrigerated Truckle; Freezer Truck; Electric Cabinet; Electronic Communication Equipment

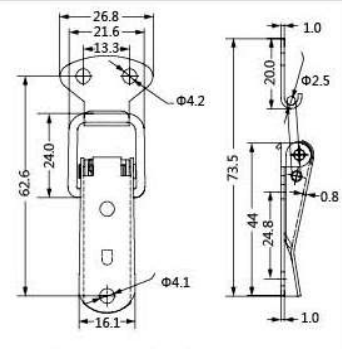
**MODEL:J104**



**名称:** 搭扣  
**材质:** 铁/不锈钢  
**表面处理:**  
 铁: 镀镍/镀锌/镀铬/电泳  
 不锈钢: 抛光  
**产品净重:** 34.4g  
**承重:** 80kg  
**包装:** 500套/箱  
**应用范围:** 食品加工机、工业设备、防疫设备、医疗用品设备箱, 运输设备

**Item:** Toggle Latch  
**Material:** Mild Steel/ Stainless Steel  
**Finish:**  
 1. Nickel/zinc/chrome Plated For Mild Steel  
 2. Electrophoresis For Mild Steel  
 3. Tumbled For Stainless Steel  
**Net Weight:** 34.4g  
**Bearing Capacity:** 80kg  
**Packing:** 500 pcs/ctn  
**Application:** Refrigerated Truckle; Freezer Truck; Electric Cabinet; Electronic Communication Equipment

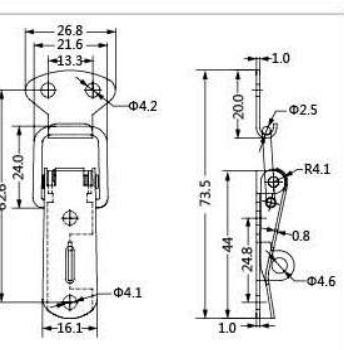
**MODEL:J105**



**名称:** 搭扣  
**材质:** 铁/不锈钢  
**表面处理:**  
 铁: 镀镍/镀锌/镀铬/电泳  
 不锈钢: 抛光  
**产品净重:** 17.4g  
**承重:** 60kg  
**包装:** 1000套/箱  
**应用范围:** 食品加工机、工业设备、防疫设备、医疗用品设备箱, 运输设备

**Item:** Toggle Latch  
**Material:** Mild Steel/ Stainless Steel  
**Finish:**  
 1. Nickel/zinc/chrome Plated For Mild Steel  
 2. Electrophoresis For Mild Steel  
 3. Tumbled For Stainless Steel  
**Net Weight:** 17.4g  
**Bearing Capacity:** 60kg  
**Packing:** 1000 pcs/ctn  
**Application:** Refrigerated Truckle; Freezer Truck; Electric Cabinet; Electronic Communication Equipment

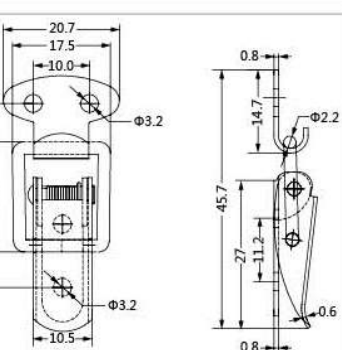
**MODEL:J106**



**名称:** 搭扣  
**材质:** 铁/不锈钢  
**表面处理:**  
 铁: 镀镍/镀锌/镀铬/电泳  
 不锈钢: 抛光  
**产品净重:** 16.9g  
**承重:** 60kg  
**包装:** 1000套/箱  
**应用范围:** 食品加工机、工业设备、防疫设备、医疗用品设备箱, 运输设备

**Item:** Toggle Latch  
**Material:** Mild Steel/ Stainless Steel  
**Finish:**  
 1. Nickel/zinc/chrome Plated For Mild Steel  
 2. Electrophoresis For Mild Steel  
 3. Tumbled For Stainless Steel  
**Net Weight:** 16.9g  
**Bearing Capacity:** 60kg  
**Packing:** 1000 pcs/ctn  
**Application:** Refrigerated Truckle; Freezer Truck; Electric Cabinet; Electronic Communication Equipment

**MODEL:J107**



**名称:** 搭扣  
**材质:** 铁/不锈钢  
**表面处理:**  
 铁: 镀镍/镀锌/镀铬/电泳  
 不锈钢: 抛光  
**产品净重:** 7.4g  
**承重:** 30kg  
**包装:** 2000套/箱  
**应用范围:** 食品加工机、工业设备、防疫设备、医疗用品设备箱, 运输设备

**Item:** Toggle Latch  
**Material:** Mild Steel/ Stainless Steel  
**Finish:**  
 1. Nickel/zinc/chrome Plated For Mild Steel  
 2. Electrophoresis For Mild Steel  
 3. Tumbled For Stainless Steel  
**Net Weight:** 7.4g  
**Bearing Capacity:** 30kg  
**Packing:** 2000 pcs/ctn  
**Application:** Refrigerated Truckle; Freezer Truck; Electric Cabinet; Electronic Communication Equipment

**MODEL:J110**

**名称:** 搭扣  
**材质:** 铁/不锈钢  
**表面处理:**  
 铁: 镀镍/镀锌/镀铬/电泳  
 不锈钢: 抛光  
**产品净重:** 22.8g  
**承重:** 40kg  
**包装:** 500套/箱  
**应用范围:** 食品加工机、工业设备、防疫设备、医疗用品设备箱, 运输设备

**Item:** Toggle Latch  
**Material:** Mild Steel/ Stainless Steel  
**Finish:**  
 1. Nickel/zinc/chrome Plated For Mild Steel  
 2. Electrophoresis For Mild Steel  
 3. Tumbled For Stainless Steel  
**Net Weight:** 22.8g  
**Bearing Capacity:** 40kg  
**Packing:** 500 pcs/ctn  
**Application:** Refrigerated Truck; Freezer Truck; Electric Cabinet; Electronic Communication Equipment

**MODEL:J111**

**名称:** 搭扣  
**材质:** 铁/不锈钢  
**表面处理:**  
 铁: 镀镍/镀锌/镀铬/电泳  
 不锈钢: 抛光  
**产品净重:** 45.6g  
**承重:** 40kg  
**包装:** 500套/箱  
**应用范围:** 食品加工机、工业设备、防疫设备、医疗用品设备箱, 运输设备

**Item:** Toggle Latch  
**Material:** Mild Steel/ Stainless Steel  
**Finish:**  
 1. Nickel/zinc/chrome Plated For Mild Steel  
 2. Electrophoresis For Mild Steel  
 3. Tumbled For Stainless Steel  
**Net Weight:** 45.6g  
**Bearing Capacity:** 40kg  
**Packing:** 500 pcs/ctn  
**Application:** Refrigerated Truck; Freezer Truck; Electric Cabinet; Electronic Communication Equipment

**MODEL:J112**

**名称:** 搭扣  
**材质:** 铁/不锈钢  
**表面处理:**  
 铁: 镀镍/镀锌/镀铬/电泳  
 不锈钢: 抛光  
**产品净重:** 45.4g  
**承重:** 40kg  
**包装:** 500套/箱  
**应用范围:** 食品加工机、工业设备、防疫设备、医疗用品设备箱, 运输设备

**Item:** Toggle Latch  
**Material:** Mild Steel/ Stainless Steel  
**Finish:**  
 1. Nickel/zinc/chrome Plated For Mild Steel  
 2. Electrophoresis For Mild Steel  
 3. Tumbled For Stainless Steel  
**Net Weight:** 45.4g  
**Bearing Capacity:** 40kg  
**Packing:** 500 pcs/ctn  
**Application:** Refrigerated Truck; Freezer Truck; Electric Cabinet; Electronic Communication Equipment

**MODEL:J113**

**名称:** 搭扣  
**材质:** 铁/不锈钢  
**表面处理:**  
 铁: 镀镍/镀锌/镀铬/电泳  
 不锈钢: 抛光  
**产品净重:** 54g  
**承重:** 50kg  
**包装:** 400套/箱  
**应用范围:** 食品加工机、工业设备、防疫设备、医疗用品设备箱, 运输设备

**Item:** Toggle Latch  
**Material:** Mild Steel/ Stainless Steel  
**Finish:**  
 1. Nickel/zinc/chrome Plated For Mild Steel  
 2. Electrophoresis For Mild Steel  
 3. Tumbled For Stainless Steel  
**Net Weight:** 54g  
**Bearing Capacity:** 50kg  
**Packing:** 400 pcs/ctn  
**Application:** Refrigerated Truck; Freezer Truck; Electric Cabinet; Electronic Communication Equipment

**MODEL:J113C**

**名称:** 搭扣  
**材质:** 铁/不锈钢  
**表面处理:**  
 铁: 镀镍/镀锌/镀铬/电泳  
 不锈钢: 抛光  
**产品净重:** 46.7g  
**承重:** 50kg  
**包装:** 400套/箱  
**应用范围:** 食品加工机、工业设备、防疫设备、医疗用品设备箱, 运输设备

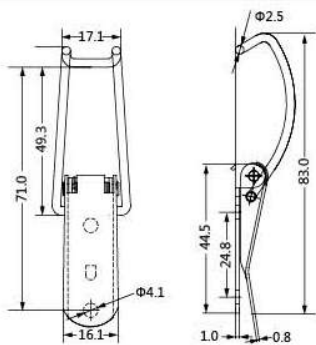
**Item:** Toggle Latch  
**Material:** Mild Steel/ Stainless Steel  
**Finish:**  
 1. Nickel/zinc/chrome Plated For Mild Steel  
 2. Electrolysis/electrophoresis, Ep For Mild Steel  
 3. Tumbled For Stainless Steel  
**Net Weight:** 46.7g  
**Bearing Capacity:** 50kg  
**Packing:** 400 pcs/ctn  
**Application:** Refrigerated Truck; Freezer Truck; Electric Cabinet; Electronic Communication Equipment

**MODEL:J113D**

**名称:** 搭扣  
**材质:** 铁/不锈钢  
**表面处理:**  
 铁: 镀镍/镀锌/镀铬/电泳  
 不锈钢: 抛光  
**产品净重:** 57.5g  
**承重:** 100kg  
**包装:** 400套/箱  
**应用范围:** 食品加工机、工业设备、防疫设备、医疗用品设备箱, 运输设备

**Item:** Toggle Latch  
**Material:** Mild Steel/ Stainless Steel  
**Finish:**  
 1. Nickel/zinc/chrome Plated For Mild Steel  
 2. Electrolysis/electrophoresis, Ep For Mild Steel  
 3. Tumbled For Stainless Steel  
**Net Weight:** 57.5g  
**Bearing Capacity:** 100kg  
**Packing:** 400 pcs/ctn  
**Application:** Refrigerated Truck; Freezer Truck; Electric Cabinet; Electronic Communication Equipment

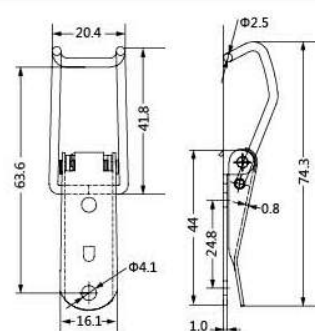
**MODEL:J115A**



**名称:** 搭扣  
**材质:** 铁/不锈钢  
**表面处理:**  
 铁: 镀镍/镀锌/镀铬/电泳  
 不锈钢: 抛光  
**产品净重:** 17.7g  
**承重:** 20kg  
**包装:** 1000套/箱  
**应用范围:** 食品加工机、工业设备、防疫设备、医疗用品设备箱, 运输设备

**Item:** Toggle Latch  
**Material:** Mild Steel/ Stainless Steel  
**Finish:**  
 1. Nickel/zinc/chrome Plated For Mild Steel  
 2. Electrophoresis For Mild Steel  
 3. Tumbled For Stainless Steel  
**Net Weight:** 17.7g  
**Bearing Capacity:** 20kg  
**Packing:** 1000 pcs/ctn  
**Application:** Refrigerated Truck; Freezer Truck; Electric Cabinet; Electronic Communication Equipment

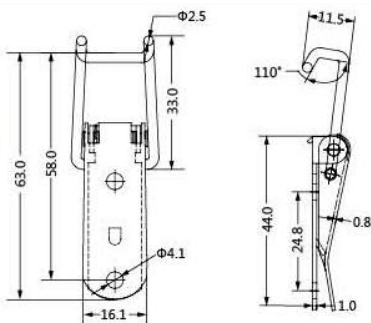
**MODEL:J115B**



**名称:** 搭扣  
**材质:** 铁/不锈钢  
**表面处理:**  
 铁: 镀镍/镀锌/镀铬/电泳  
 不锈钢: 抛光  
**产品净重:** 16.6g  
**承重:** 30kg  
**包装:** 1000套/箱  
**应用范围:** 食品加工机、工业设备、防疫设备、医疗用品设备箱, 运输设备

**Item:** Toggle Latch  
**Material:** Mild Steel/ Stainless Steel  
**Finish:**  
 1. Nickel/zinc/chrome Plated For Mild Steel  
 2. Electrophoresis For Mild Steel  
 3. Tumbled For Stainless Steel  
**Net Weight:** 16.6g  
**Bearing Capacity:** 30kg  
**Packing:** 1000 pcs/ctn  
**Application:** Refrigerated Truck; Freezer Truck; Electric Cabinet; Electronic Communication Equipment

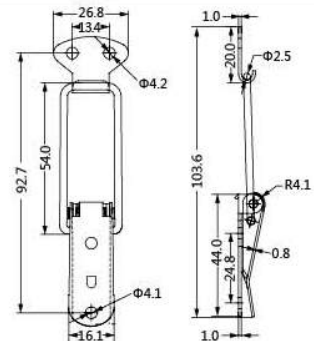
**MODEL:J115C**



**名称:** 搭扣  
**材质:** 铁/不锈钢  
**表面处理:**  
 铁: 镀镍/镀锌/镀铬/电泳  
 不锈钢: 抛光  
**产品净重:** 16.1g  
**承重:** 70kg  
**包装:** 1000套/箱  
**应用范围:** 食品加工机、工业设备、防疫设备、医疗用品设备箱, 运输设备

**Item:** Toggle Latch  
**Material:** Mild Steel/ Stainless Steel  
**Finish:**  
 1. Nickel/zinc/chrome Plated For Mild Steel  
 2. Electrophoresis For Mild Steel  
 3. Tumbled For Stainless Steel  
**Net Weight:** 16.1g  
**Bearing Capacity:** 70kg  
**Packing:** 1000 pcs/ctn  
**Application:** Refrigerated Truck; Freezer Truck; Electric Cabinet; Electronic Communication Equipment

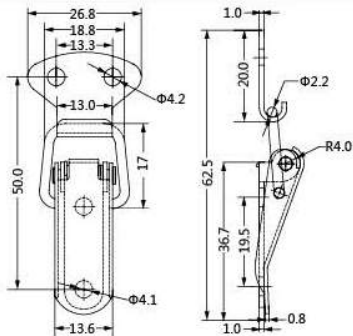
**MODEL:J116**



**名称:** 搭扣  
**材质:** 铁/不锈钢  
**表面处理:**  
 铁: 镀镍/镀锌/镀铬/电泳  
 不锈钢: 抛光  
**产品净重:** 20.1g  
**承重:** 60kg  
**包装:** 1000套/箱  
**应用范围:** 食品加工机、工业设备、防疫设备、医疗用品设备箱, 运输设备

**Item:** Toggle Latch  
**Material:** Mild Steel/ Stainless Steel  
**Finish:**  
 1. Nickel/zinc/chrome Plated For Mild Steel  
 2. Electrophoresis For Mild Steel  
 3. Tumbled For Stainless Steel  
**Net Weight:** 20.1g  
**Bearing Capacity:** 60kg  
**Packing:** 1000 pcs/ctn  
**Application:** Refrigerated Truck; Freezer Truck; Electric Cabinet; Electronic Communication Equipment

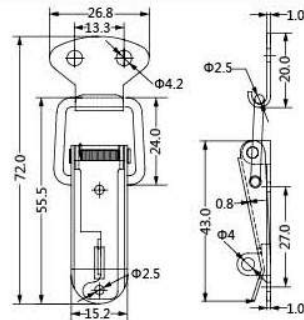
**MODEL:J117**



**名称:** 搭扣  
**材质:** 铁/不锈钢  
**表面处理:**  
 铁: 镀镍/镀锌/镀铬/电泳  
 不锈钢: 抛光  
**产品净重:** 12.6g  
**承重:** 40kg  
**包装:** 1500套/箱  
**应用范围:** 食品加工机、工业设备、防疫设备、医疗用品设备箱, 运输设备

**Item:** Toggle Latch  
**Material:** Mild Steel/ Stainless Steel  
**Finish:**  
 1. Nickel/zinc/chrome Plated For Mild Steel  
 2. Electrophoresis For Mild Steel  
 3. Tumbled For Stainless Steel  
**Net Weight:** 12.6g  
**Bearing Capacity:** 40kg  
**Packing:** 1500 pcs/ctn  
**Application:** Refrigerated Truck; Freezer Truck; Electric Cabinet; Electronic Communication Equipment

**MODEL:J118**



**名称:** 搭扣  
**材质:** 铁/不锈钢  
**表面处理:**  
 铁: 镀镍/镀锌/镀铬/电泳  
 不锈钢: 抛光  
**产品净重:** 16.1g  
**承重:** 50kg  
**包装:** 1000套/箱  
**应用范围:** 食品加工机、工业设备、防疫设备、医疗用品设备箱, 运输设备

**Item:** Toggle Latch  
**Material:** Mild Steel/ Stainless Steel  
**Finish:**  
 1. Nickel/zinc/chrome Plated For Mild Steel  
 2. Electrophoresis For Mild Steel  
 3. Tumbled For Stainless Steel  
**Net Weight:** 16.1g  
**Bearing Capacity:** 50kg  
**Packing:** 1000 pcs/ctn  
**Application:** Refrigerated Truck; Freezer Truck; Electric Cabinet; Electronic Communication Equipment

**MODEL:J120**

**名称:** 搭扣  
**材质:** 铁/不锈钢  
**表面处理:**  
 铁: 镀镍/镀锌/镀铬/电泳  
 不锈钢: 抛光  
**产品净重:** 4.9g  
**承重:** 10kg  
**包装:** 3000套/箱  
**应用范围:** 食品加工机、工业设备、防疫设备、医疗用品设备箱, 运输设备

**Item:** Toggle Latch  
**Material:** Mild Steel/ Stainless Steel  
**Finish:**  
 1. Nickel/zinc/chrome Plated For Mild Steel  
 2. Electrophoresis For Mild Steel  
 3. Tumbled For Stainless Steel  
**Net Weight:** 4.9g  
**Bearing Capacity:** 10kg  
**Packing:** 3000 pcs/ctn  
**Application:** Refrigerated Truckle; Freezer Truck; Electric Cabinet; Electronic Communication Equipment

**MODEL:J123**

**名称:** 搭扣  
**材质:** 铁/不锈钢  
**表面处理:**  
 铁: 镀镍/镀锌/镀铬/电泳  
 不锈钢: 抛光  
**产品净重:** 36.1g  
**承重:** 80kg  
**包装:** 500套/箱  
**应用范围:** 食品加工机、工业设备、防疫设备、医疗用品设备箱, 运输设备

**Item:** Toggle Latch  
**Material:** Mild Steel/ Stainless Steel  
**Finish:**  
 1. Nickel/zinc/chrome Plated For Mild Steel  
 2. Electrophoresis For Mild Steel  
 3. Tumbled For Stainless Steel  
**Net Weight:** 36.1g  
**Bearing Capacity:** 80kg  
**Packing:** 500 pcs/ctn  
**Application:** Refrigerated Truckle; Freezer Truck; Electric Cabinet; Electronic Communication Equipment

**MODEL:J301**

**名称:** 搭扣  
**材质:** 铁/不锈钢  
**表面处理:**  
 铁: 镀镍/镀锌/镀铬/电泳  
 不锈钢: 抛光  
**产品净重:** 34g  
**承重:** 40kg  
**包装:** 500套/箱  
**应用范围:** 食品加工机、工业设备、防疫设备、医疗用品设备箱, 运输设备

**Item:** Toggle Latch  
**Material:** Mild Steel/ Stainless Steel  
**Finish:**  
 1. Nickel/zinc/chrome Plated For Mild Steel  
 2. Electrophoresis For Mild Steel  
 3. Tumbled For Stainless Steel  
**Net Weight:** 34g  
**Bearing Capacity:** 40kg  
**Packing:** 500 pcs/ctn  
**Application:** Refrigerated Truckle; Freezer Truck; Electric Cabinet; Electronic Communication Equipment

**MODEL:J301C**

**名称:** 搭扣  
**材质:** 铁/不锈钢  
**表面处理:**  
 铁: 镀镍/镀锌/镀铬/电泳  
 不锈钢: 抛光  
**产品净重:** 29g  
**承重:** 40kg  
**包装:** 500套/箱  
**应用范围:** 食品加工机、工业设备、防疫设备、医疗用品设备箱, 运输设备

**Item:** Toggle Latch  
**Material:** Mild Steel/ Stainless Steel  
**Finish:**  
 1. Nickel/zinc/chrome Plated For Mild Steel  
 2. Electrophoresis For Mild Steel  
 3. Tumbled For Stainless Steel  
**Net Weight:** 29g  
**Bearing Capacity:** 40kg  
**Packing:** 500 pcs/ctn  
**Application:** Refrigerated Truckle; Freezer Truck; Electric Cabinet; Electronic Communication Equipment

**MODEL:J302**

**名称:** 搭扣  
**材质:** 铁/不锈钢  
**表面处理:**  
 铁: 镀镍/镀锌/镀铬/电泳  
 不锈钢: 抛光  
**产品净重:** 78g  
**承重:** 120kg  
**包装:** 300套/箱  
**应用范围:** 食品加工机、工业设备、防疫设备、医疗用品设备箱, 运输设备

**Item:** Toggle Latch  
**Material:** Mild Steel/ Stainless Steel  
**Finish:**  
 1. Nickel/zinc/chrome Plated For Mild Steel  
 2. Electrophoresis For Mild Steel  
 3. Tumbled For Stainless Steel  
**Net Weight:** 78g  
**Bearing Capacity:** 120kg  
**Packing:** 200pcs/ctn  
**Application:** Refrigerated Truckle; Freezer Truck; Electric Cabinet; Electronic Communication Equipment

**MODEL:J303**

**名称:** 搭扣  
**材质:** 铁/不锈钢  
**表面处理:**  
 铁: 镀镍/镀锌/镀铬/电泳  
 不锈钢: 抛光  
**产品净重:** 30.9g  
**承重:** 50kg  
**包装:** 500套/箱  
**应用范围:** 食品加工机、工业设备、防疫设备、医疗用品设备箱, 运输设备

**Item:** Toggle Latch  
**Material:** Mild Steel/ Stainless Steel  
**Finish:**  
 1. Nickel/zinc/chrome Plated For Mild Steel  
 2. Electrophoresis For Mild Steel  
 3. Tumbled For Stainless Steel  
**Net Weight:** 30.9g  
**Bearing Capacity:** 50kg  
**Packing:** 500 pcs/ctn  
**Application:** Refrigerated Truckle; Freezer Truck; Electric Cabinet; Electronic Communication Equipment



**MODEL:J321**

**名称:** 搭扣  
**材质:** 铁/不锈钢  
**表面处理:**  
 铁: 镀镍/镀锌/镀铬/电泳  
 不锈钢: 抛光  
**产品净重:** 34g  
**承重:** 50kg  
**包装:** 500套/箱  
**应用范围:** 食品加工机、工业设备、防疫设备、医疗用品设备箱, 运输设备

**Item:** Toggle Latch  
**Material:** Mild Steel/ Stainless Steel  
**Finish:**  
 1. Nickel/zinc/chrome Plated For Mild Steel  
 2. Electrophoresis For Mild Steel  
 3. Tumbled For Stainless Steel  
**Net Weight:** 34g  
**Bearing Capacity:** 50kg  
**Packing:** 500 pcs/ctn  
**Application:** Refrigerated Truck; Freezer Truck; Electric Cabinet; Electronic Communication Equipment

**MODEL:J502**

**名称:** 搭扣  
**材质:** 铁/不锈钢  
**表面处理:**  
 铁: 镀镍/镀锌/镀铬/电泳  
 不锈钢: 抛光  
**产品净重:** 100g  
**承重:** 60kg  
**包装:** 200套/箱  
**应用范围:** 食品加工机、工业设备、防疫设备、医疗用品设备箱, 运输设备

**Item:** Toggle Latch  
**Material:** Mild Steel/ Stainless Steel  
**Finish:**  
 1. Nickel/zinc/chrome Plated For Mild Steel  
 2. Electrophoresis For Mild Steel  
 3. Tumbled For Stainless Steel  
**Net Weight:** 100g  
**Bearing Capacity:** 60kg  
**Packing:** 200 pcs/ctn  
**Application:** Refrigerated Truck; Freezer Truck; Electric Cabinet; Electronic Communication Equipment

**MODEL:J503**

**名称:** 搭扣  
**材质:** 铁/不锈钢  
**表面处理:**  
 铁: 镀镍/镀锌/镀铬/电泳  
 不锈钢: 抛光  
**产品净重:** 44.2g  
**承重:** 20kg  
**包装:** 400套/箱  
**应用范围:** 食品加工机、工业设备、防疫设备、医疗用品设备箱, 运输设备

**Item:** Toggle Latch  
**Material:** Mild Steel/ Stainless Steel  
**Finish:**  
 1. Nickel/zinc/chrome Plated For Mild Steel  
 2. Electrophoresis For Mild Steel  
 3. Tumbled For Stainless Steel  
**Net Weight:** 44.2g  
**Bearing Capacity:** 20kg  
**Packing:** 400 pcs/ctn  
**Application:** Refrigerated Truck; Freezer Truck; Electric Cabinet; Electronic Communication Equipment

**MODEL:J504**

**名称:** 搭扣  
**材质:** 铁/不锈钢  
**表面处理:**  
 铁: 镀镍/镀锌/镀铬/电泳  
 不锈钢: 抛光  
**产品净重:** 39.8g  
**承重:** 20kg  
**包装:** 500套/箱  
**应用范围:** 食品加工机、工业设备、防疫设备、医疗用品设备箱, 运输设备

**Item:** Toggle Latch  
**Material:** Mild Steel/ Stainless Steel  
**Finish:**  
 1. Nickel/zinc/chrome Plated For Mild Steel  
 2. Electrophoresis For Mild Steel  
 3. Tumbled For Stainless Steel  
**Net Weight:** 39.8g  
**Bearing Capacity:** 20kg  
**Packing:** 500 pcs/ctn  
**Application:** Refrigerated Truck; Freezer Truck; Electric Cabinet; Electronic Communication Equipment

**MODEL:J505**

**名称:** 搭扣  
**材质:** 铁/不锈钢  
**表面处理:**  
 铁: 镀镍/镀锌/镀铬/电泳  
 不锈钢: 抛光  
**产品净重:** 26.8g  
**承重:** 20kg  
**包装:** 500套/箱  
**应用范围:** 食品加工机、工业设备、防疫设备、医疗用品设备箱, 运输设备

**Item:** toggle latch  
**Material:** mild steel/ stainless steel  
**Finish:**  
 1. nickel/zinc/chrome plated for mild steel  
 2. Electrophoresis for mild steel  
 3. Tumbled for stainless steel  
**Net Weight:** 26.8g  
**Bearing Capacity:** 20kg  
**Packing:** 500 pcs/ctn  
**Application:** refrigerated truck; freezer truck; Electric cabinet; Electronic communication equipment

**MODEL:J506**

**名称:** 搭扣  
**材质:** 铁/不锈钢  
**表面处理:**  
 铁: 镀镍/镀锌/镀铬/电泳  
 不锈钢: 抛光  
**产品净重:** 45.5g  
**承重:** 80kg  
**包装:** 500套/箱  
**应用范围:** 食品加工机、工业设备、防疫设备、医疗用品设备箱, 运输设备

**Item:** toggle latch  
**Material:** mild steel/ stainless steel  
**Finish:**  
 1. nickel/zinc/chrome plated for mild steel  
 2. Electrophoresis for mild steel  
 3. Tumbled for stainless steel  
**Net Weight:** 45.5g  
**Bearing Capacity:** 80kg  
**Packing:** 500 pcs/ctn  
**Application:** refrigerated truck; freezer truck; Electric cabinet; Electronic communication equipment

**MODEL:J008**

**名称:** 搭扣  
**材质:** 铁/不锈钢  
**表面处理:**  
 铁: 镀镍/镀锌/镀铬/电泳  
 不锈钢: 抛光  
**产品净重:** 80.2g  
**承重:** 80kg  
**包装:** 300套/箱  
**应用范围:** 工业设备, 运输设备, 机械设备; 便捷冰箱, 冰柜

**Item:** toggle latch  
**Material:** mild steel/ stainless steel  
**Finish:**  
 1. nickle/zinc/chrome plated for mild steel  
 2. Electrophoresis For Mild Steel  
 3. Tumbled for stainless steel  
**Net Weight:** 80.2g  
**Bearing Capacity:** 80kg  
**Packing:** 300 pcs/ctn  
**Application:** industrial machine; freezer; musical instrument

**MODEL:J008A /J018A**

**名称:** 搭扣  
**材质:** 铁/不锈钢  
**表面处理:**  
 铁: 镀镍/镀锌/镀铬/电泳  
 不锈钢: 抛光  
**产品净重:** 85.8g  
**承重:** 80kg  
**包装:** 300套/箱  
**应用范围:** 工业设备, 运输设备, 机械设备; 便捷冰箱, 冰柜

**Item:** toggle latch  
**Material:** mild steel/ stainless steel  
**Finish:**  
 1. nickle/zinc/chrome plated for mild steel  
 2. Electrophoresis For Mild Steel  
 3. Tumbled for stainless steel  
**Net Weight:** 85.8g  
**Bearing Capacity:** 80kg  
**Packing:** 300 pcs/ctn  
**Application:** industrial machine; freezer; musical instrument

**MODEL:J018**

**名称:** 搭扣  
**材质:** 铁/不锈钢  
**表面处理:**  
 铁: 镀镍/镀锌/镀铬/电泳  
 不锈钢: 抛光  
**产品净重:** 79.6g  
**承重:** 80kg  
**包装:** 300套/箱  
**应用范围:** 工业设备, 运输设备, 机械设备; 便捷冰箱, 冰柜

**Item:** toggle latch  
**Material:** mild steel/ stainless steel  
**Finish:**  
 1. nickle/zinc/chrome plated for mild steel  
 2. Electrophoresis For Mild Steel  
 3. Tumbled for stainless steel  
**Net Weight:** 79.6g  
**Bearing Capacity:** 80kg  
**Packing:** 300 pcs/ctn  
**Application:** industrial machine; freezer; musical instrument

**MODEL:J108**

**名称:** 搭扣  
**材质:** 铁/不锈钢  
**表面处理:**  
 铁: 镀镍/镀锌/镀铬/电泳  
 不锈钢: 抛光  
**产品净重:** 34g  
**承重:** 50kg  
**包装:** 500套/箱  
**应用范围:** 工业设备, 运输设备, 机械设备; 便捷冰箱, 冰柜

**Item:** toggle latch  
**Material:** mild steel/ stainless steel  
**Finish:**  
 1. nickle/zinc/chrome plated for mild steel  
 2. Electrophoresis For Mild Steel  
 3. Tumbled for stainless steel  
**Net Weight:** 34g  
**Bearing Capacity:** 50kg  
**Packing:** 500 pcs/ctn  
**Application:** industrial machine; freezer; musical instrument

**MODEL:J108B**

**名称:** 搭扣  
**材质:** 铁/不锈钢  
**表面处理:**  
 铁: 镀镍/镀锌/镀铬/电泳  
 不锈钢: 抛光  
**产品净重:** 34.1g  
**承重:** 50kg  
**包装:** 500套/箱  
**应用范围:** 工业设备, 运输设备, 机械设备; 便捷冰箱, 冰柜

**Item:** toggle latch  
**Material:** mild steel/ stainless steel  
**Finish:**  
 1. nickle/zinc/chrome plated for mild steel  
 2. Electrophoresis For Mild Steel  
 3. Tumbled for stainless steel  
**Net Weight:** 34.1g  
**Bearing Capacity:** 50kg  
**Packing:** 500 pcs/ctn  
**Application:** industrial machine; freezer; musical instrument

**MODEL:J119**

**名称:** 搭扣  
**材质:** 铁/不锈钢  
**表面处理:**  
 铁: 镀镍/镀锌/镀铬/电泳  
 不锈钢: 抛光  
**产品净重:** 37.5g  
**承重:** 50kg  
**包装:** 500套/箱  
**应用范围:** 工业设备, 运输设备, 机械设备; 便捷冰箱, 冰柜

**Item:** toggle latch  
**Material:** mild steel/ stainless steel  
**Finish:**  
 1. nickle/zinc/chrome plated for mild steel  
 2. Electrophoresis For Mild Steel  
 3. Tumbled for stainless steel  
**Net Weight:** 37.5g  
**Bearing Capacity:** 50kg  
**Packing:** 500 pcs/ctn  
**Application:** industrial machine; freezer; musical instrument

**MODEL:J311**

**名称:** 搭扣  
**材质:** 铁/不锈钢  
**表面处理:**  
**铁:** 镀镍/镀锌/镀铬/电泳  
**不锈钢:** 抛光  
**产品净重:** 40.3g  
**承重:** 50kg  
**包装:** 500套/箱  
**应用范围:** 工业设备, 运输设备, 机械设备; 便捷冰箱, 冰柜

**Item:** toggle latch  
**Material:** mild steel/ stainless steel  
**Finish:**  
 1. nickel/zinc/chrome plated for mild steel  
 2. Electrophoresis For Mild Steel  
 3. Tumbled for stainless steel  
**Net Weight:** 40.3g  
**Bearing Capacity:** 50kg  
**Packing:** 500pcs/ctn  
**Application:** industrial machine; freezer; musical instrument

**MODEL:J009**

**名称:** 搭扣  
**材质:** 铁/不锈钢  
**表面处理:**  
**铁:** 镀镍/镀锌/镀铬/电泳  
**不锈钢:** 抛光  
**产品净重:** 48.4g  
**承重:** 50kg  
**包装:** 400套/箱  
**应用范围:** 工业设备, 运输设备, 机械设备; 便捷冰箱, 冰柜

**Item:** toggle latch  
**Material:** mild steel/ stainless steel  
**Finish:**  
 1. nickel/zinc/chrome plated for mild steel  
 2. Electrophoresis For Mild Steel  
 3. Tumbled for stainless steel  
**Net Weight:** 48.4g  
**Bearing Capacity:** 50kg  
**Packing:** 400 pcs/ctn  
**Application:** industrial machine; freezer; musical instrument

**MODEL:J109**

**名称:** 搭扣  
**材质:** 铁/不锈钢  
**表面处理:**  
**铁:** 镀镍/镀锌/镀铬/电泳  
**不锈钢:** 抛光  
**产品净重:** 37.3g  
**承重:** 50kg  
**包装:** 500套/箱  
**应用范围:** 工业设备, 运输设备, 机械设备; 便捷冰箱, 冰柜

**Item:** toggle latch  
**Material:** mild steel/ stainless steel  
**Finish:**  
 1. nickel/zinc/chrome plated for mild steel  
 2. Electrophoresis For Mild Steel  
 3. Tumbled for stainless steel  
**Net Weight:** 37.3g  
**Bearing Capacity:** 50kg  
**Packing:** 500 pcs/ctn  
**Application:** industrial machine; freezer; musical instrument

**MODEL:J019 ★**

**名称:** 搭扣  
**材质:** 铁/不锈钢  
**表面处理:**  
**铁:** 镀镍/镀锌/镀铬/电泳  
**不锈钢:** 抛光  
**产品净重:** 84.7g  
**承重:** 100kg  
**应用范围:** 工业设备, 运输设备, 机械设备; 便捷冰箱, 冰柜

**Item:** toggle latch  
**Material:** mild steel/ stainless steel  
**Finish:**  
 1. nickel/zinc/chrome plated for mild steel  
 2. Electrophoresis For Mild Steel  
 3. Tumbled for stainless steel  
**Net Weight:** 84.7g  
**Bearing Capacity:** 100kg  
**Application:** industrial machine; freezer; musical instrument

**MODEL:J1104**

**名称:** 搭扣  
**材质:** 铁/不锈钢  
**表面处理:**  
**铁:** 镀锌  
**不锈钢:** 抛光  
**产品净重:** 223.8g  
**承重:** 200kg  
**包装:** 50套/箱  
**应用范围:** 卡车底盘、工业设备、防疫设备、医疗用品设备箱, 运输设备

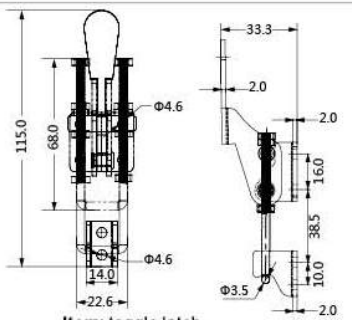
**Item:** toggle latch  
**Material:** mild steel/ stainless steel  
**Finish:**  
 1. zinc plated for mild steel  
 2. Tumbled for stainless steel  
**Net Weight:** 223.8g  
**Bearing Capacity:** 200kg  
**Packing:** 50 pcs/ctn  
**Application:** refrigerated truckle; freezer truck; Electronic communication equipment; tool boxes, storage, cabinets

**MODEL:J431**

**名称:** 搭扣  
**材质:** 铁/不锈钢  
**表面处理:**  
**铁:** 镀锌  
**不锈钢:** 抛光  
**产品净重:** 218.6g  
**承重:** 200kg  
**包装:** 100套/箱  
**应用范围:** 卡车底盘、工业设备、防疫设备、医疗用品设备箱, 运输设备

**Item:** toggle latch  
**Material:** mild steel/ stainless steel  
**Finish:**  
 1. zinc plated for mild steel  
 2. Tumbled for stainless steel  
**Net Weight:** 218.6g  
**Bearing Capacity:** 200kg  
**Packing:** 100pcs/ctn  
**Application:** refrigerated truckle; freezer truck; Electronic communication equipment; tool boxes, storage, cabinets

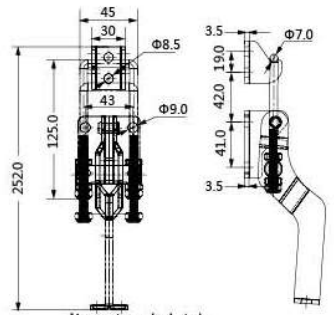
**MODEL:J40323**



**名称:** 搭扣  
**材质:** 铁/不锈钢  
**表面处理:**  
 铁: 镀锌  
 不锈钢: 振光  
**产品净重:** 76.6g  
**承重:** 100kg  
**包装:** 100套/箱  
**应用范围:** 卡车底盘、工业设备、防疫设备、医疗用品设备箱, 运输设备

**Item:** toggle latch  
**Material:** mild steel/ stainless steel  
**Finish:**  
 1. zinc plated for mild steel  
 2. Tumbled for stainless steel  
**Net Weight:** 76.6g  
**Bearing Capacity:** 100kg  
**Packing:** 100 pcs/ctn  
**Application:** refrigerated truckle; freezer truck ; Electronic communication equipment; tool boxes,storage ,cabinets

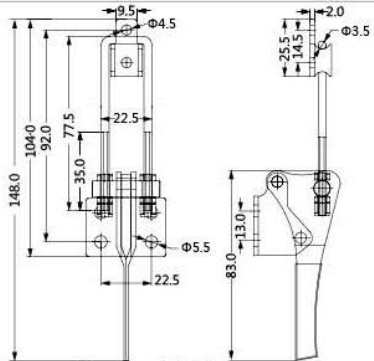
**MODEL:J40341**



**名称:** 搭扣  
**材质:** 铁/不锈钢  
**表面处理:**  
 铁: 镀锌  
 不锈钢: 振光  
**产品净重:** 643.5g  
**承重:** 500kg  
**包装:** 50套/箱  
**应用范围:** 卡车底盘、工业设备、防疫设备、医疗用品设备箱, 运输设备

**Item:** toggle latch  
**Material:** mild steel/ stainless steel  
**Finish:**  
 1. zinc plated for mild steel  
 2. Tumbled for stainless steel  
**Net Weight:** 643.5g  
**Bearing Capacity:** 500kg  
**Packing:** 50 pcs/ctn  
**Application:** refrigerated truckle; freezer truck ; Electronic communication equipment; tool boxes,storage ,cabinets

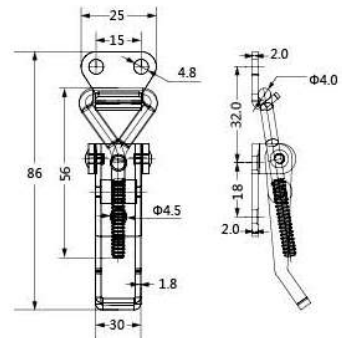
**MODEL:J40324**



**名称:** 搭扣  
**材质:** 铁/不锈钢  
**表面处理:**  
 铁: 镀锌  
 不锈钢: 振光  
**产品净重:** 94.2g  
**承重:** 95kg  
**应用范围:** 食品加工机、工业设备、防疫设备、医疗用品设备箱, 运输设备

**Item:** toggle latch  
**Material:** mild steel/ stainless steel  
**Finish:**  
 1. zinc plated for mild steel  
 2. Tumbled for stainless steel  
**Net Weight:** 94.2g  
**Bearing Capacity:** 95kg  
**Application:** refrigerated truckle; freezer truck ; Electric cabinet ; Electronic communication equipment

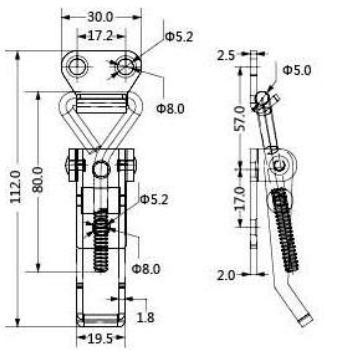
**MODEL:J1101**



**名称:** 搭扣  
**材质:** 铁/不锈钢  
**表面处理:**  
 铁: 镀锌  
 不锈钢: 振光  
**产品净重:** 74.5g  
**承重:** 150kg  
**包装:** 300套/箱  
**应用范围:** 卡车底盘、工业设备、防疫设备、医疗用品设备箱, 运输设备

**Item:** toggle latch  
**Material:** mild steel/ stainless steel  
**Finish:**  
 1. zinc plated for mild steel  
 2. Tumbled for stainless steel  
**Net Weight:** 74.5g  
**Bearing Capacity:** 150kg  
**Packing:** 300 pcs/ctn  
**Application:** refrigerated truckle; freezer truck ; Electronic communication equipment; tool boxes,storage ,cabinets

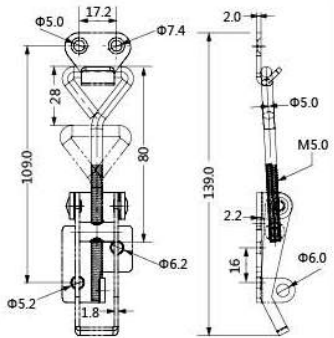
**MODEL:J1102**



**名称:** 搭扣  
**材质:** 铁/不锈钢  
**表面处理:**  
 铁: 镀锌  
 不锈钢: 振光  
**产品净重:** 40.2g  
**承重:** 100kg  
**包装:** 300套/箱  
**应用范围:** 食品加工机 工业设备、防疫设备、医疗用品设备箱, 运输设备

**Item:** toggle latch  
**Material:** mild steel/ stainless steel  
**Finish:**  
 1. zinc plated for mild steel  
 2. Tumbled for stainless steel  
**Net Weight:** 40.2g  
**Bearing Capacity:** 100kg  
**Packing:** 300 pcs/ctn  
**Application:**refrigerated truckle; freezer truck ; Electronic communication equipment; tool boxes,storage ,cabinets

**MODEL:J1103**



**名称:** 搭扣  
**材质:** 铁/不锈钢  
**表面处理:**  
 铁: 镀锌  
 不锈钢: 振光  
**产品净重:** 78.3g  
**承重:** 180kg  
**包装:** 100套/箱  
**应用范围:** 卡车底盘、工业设备、防疫设备、医疗用品设备箱, 运输设备

**Item:** toggle latch  
**Material:** mild steel/ stainless steel  
**Finish:**  
 1. zinc plated for mild steel  
 2. Tumbled for stainless steel  
**Net Weight:** 78.3g  
**Bearing Capacity:** 180kg  
**Packing:** 100 pcs/ctn  
**Application:** refrigerated truckle; freezer truck ; Electronic communication equipment; tool boxes,storage ,cabinets

**MODEL:J305 ★**

**名称:** 搭扣  
**材质:** 铁/不锈钢  
**表面处理:**  
 铁: 镀镍/镀锌/镀铬/电泳  
 不锈钢: 振光  
**产品净重:** 153.3g  
**承重:** 120kg  
**应用范围:** 食品加工机、工业设备、防疫设备、医疗用品设备箱, 运输设备

**Item:** toggle latch  
**Material:** mild steel/ stainless steel  
**Finish:**  
 1. nickle/zinc/chrome plated for mild steel  
 2. Electrophoresis For Mild Steel  
 3. Tumbled for stainless steel  
**Net Weight:** 153.3g  
**Bearing Capacity:** 120kg  
**Application:** refrigerated truckle; freezer truck; Electric cabinet; Electronic communication equipment

**MODEL:J306 ★**

**名称:** 搭扣  
**材质:** 铁/不锈钢  
**表面处理:**  
 铁: 镀镍/镀锌/镀铬/电泳  
 不锈钢: 振光  
**产品净重:** 71.5g  
**承重:** 80kg  
**应用范围:** 食品加工机、工业设备、防疫设备、医疗用品设备箱, 运输设备

**Item:** toggle latch  
**Material:** mild steel/ stainless steel  
**Finish:**  
 1. nickle/zinc/chrome plated for mild steel  
 2. Electrophoresis For Mild Steel  
 3. Tumbled for stainless steel  
**Net Weight:** 71.5g  
**Bearing Capacity:** 80kg  
**Application:** refrigerated truckle; freezer truck; Electric cabinet; Electronic communication equipment

**MODEL:J300 ★**

**名称:** 搭扣  
**材质:** 铁/不锈钢  
**表面处理:**  
 铁: 镀镍/镀锌/镀铬/电泳  
 不锈钢: 振光  
**产品净重:** 26.7g  
**承重:** 50kg  
**应用范围:** 食品加工机、工业设备、防疫设备、医疗用品设备箱, 运输设备

**Item:** toggle latch  
**Material:** mild steel/ stainless steel  
**Finish:**  
 1. nickle/zinc/chrome plated for mild steel  
 2. Electrophoresis For Mild Steel  
 3. Tumbled for stainless steel  
**Net Weight:** 26.7g  
**Bearing Capacity:** 50kg  
**Application:** refrigerated truckle; freezer truck; Electric cabinet; Electronic communication equipment

**MODEL:J307 ★**

**名称:** 搭扣  
**材质:** 铁/不锈钢  
**表面处理:**  
 铁: 镀镍/镀锌/镀铬/电泳  
 不锈钢: 振光  
**产品净重:** 61.8g  
**承重:** 80kg  
**应用范围:** 食品加工机、工业设备、防疫设备、医疗用品设备箱, 运输设备

**Item:** toggle latch  
**Material:** mild steel/ stainless steel  
**Finish:**  
 1. nickle/zinc/chrome plated for mild steel  
 2. Electrophoresis For Mild Steel  
 3. Tumbled for stainless steel  
**Net Weight:** 61.8g  
**Bearing Capacity:** 80kg  
**Application:** refrigerated truckle; freezer truck; Electric cabinet; Electronic communication equipment

**MODEL:J308 ★**

**名称:** 搭扣  
**材质:** 铁/不锈钢  
**表面处理:**  
 铁: 镀镍/镀锌/镀铬/电泳  
 不锈钢: 振光  
**产品净重:** 21.8g  
**承重:** 60kg  
**应用范围:** 食品加工机、工业设备、防疫设备、医疗用品设备箱, 运输设备

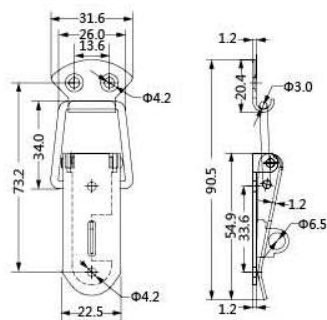
**Item:** toggle latch  
**Material:** mild steel/ stainless steel  
**Finish:**  
 1. nickle/zinc/chrome plated for mild steel  
 2. Electrophoresis For Mild Steel  
 3. Tumbled for stainless steel  
**Net Weight:** 21.8g  
**Bearing Capacity:** 60kg  
**Application:** refrigerated truckle; freezer truck; Electric cabinet; Electronic communication equipment

**MODEL:J309 ★**

**名称:** 搭扣  
**材质:** 铁/不锈钢  
**表面处理:**  
 铁: 镀镍/镀锌/镀铬/电泳  
 不锈钢: 振光  
**产品净重:** 50.9g  
**承重:** 80kg  
**应用范围:** 食品加工机、工业设备、防疫设备、医疗用品设备箱, 运输设备

**Item:** toggle latch  
**Material:** mild steel/ stainless steel  
**Finish:**  
 1. nickle/zinc/chrome plated for mild steel  
 2. Electrophoresis For Mild Steel  
 3. Tumbled for stainless steel  
**Net Weight:** 50.9g  
**Bearing Capacity:** 80kg  
**Application:** refrigerated truckle; freezer truck; Electric cabinet; Electronic communication equipment

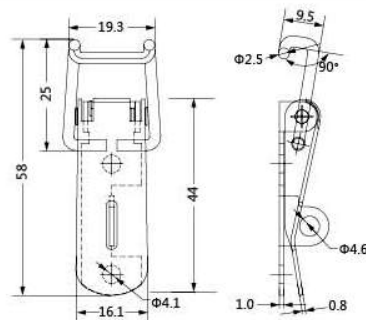
**MODEL:J104-1**



名称：搭扣  
 材质：铁/不锈钢  
 表面处理：  
 铁：镀镍/镀锌/镀铬/电泳  
 不锈钢：抛光  
 产品净重：34g  
 承重：80kg  
 包装：500套/箱  
 应用范围：食品加工机、工业设备、防疫设备、医疗用品设备箱，运输设备

Item: toggle latch  
 Material: mild steel/ stainless steel  
 Finish:  
 1. nickel/zinc/chrome plated for mild steel  
 2. Electrophoresis For Mild Steel  
 3. Tumbled for stainless steel  
 Net Weight: 34g  
 Bearing Capacity: 80kg  
 Packing: 500 pcs/ctn  
 Application: refrigerated truck; freezer truck; Electric cabinet; Electronic communication equipment

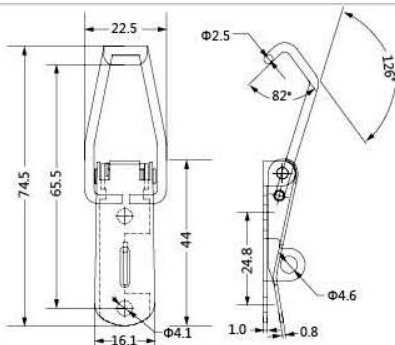
**MODEL:J106-1**



名称：搭扣  
 材质：铁/不锈钢  
 表面处理：  
 铁：镀镍/镀锌/镀铬/电泳  
 不锈钢：抛光  
 产品净重：14.1g  
 承重：40kg  
 包装：1000套/箱  
 应用范围：食品加工机、工业设备、防疫设备、医疗用品设备箱，运输设备

Item: toggle latch  
 Material: mild steel/ stainless steel  
 Finish:  
 1. nickel/zinc/chrome plated for mild steel  
 2. Electrophoresis For Mild Steel  
 3. Tumbled for stainless steel  
 Net Weight: 14.1g  
 Bearing Capacity: 40kg  
 Packing: 1000 pcs/ctn  
 Application: refrigerated truck; freezer truck; Electric cabinet; Electronic communication equipment

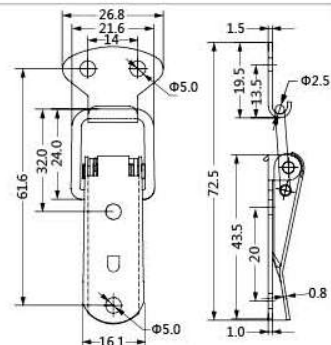
**MODEL:J106-2**



名称：搭扣  
 材质：铁/不锈钢  
 表面处理：  
 铁：镀镍/镀锌/镀铬/电泳  
 不锈钢：抛光  
 产品净重：15.7g  
 承重：20kg  
 包装：1000套/箱  
 应用范围：食品加工机、工业设备、防疫设备、医疗用品设备箱，运输设备

Item: toggle latch  
 Material: mild steel/ stainless steel  
 Finish:  
 1. nickel/zinc/chrome plated for mild steel  
 2. Electrophoresis For Mild Steel  
 3. Tumbled for stainless steel  
 Net Weight: 15.7g  
 Bearing Capacity: 20kg  
 Packing: 1000 pcs/ctn  
 Application: refrigerated truck; freezer truck; Electric cabinet; Electronic communication equipment

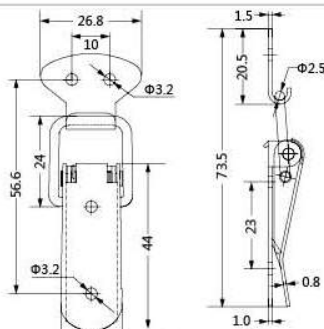
**MODEL:J105-1**



名称：搭扣  
 材质：铁/不锈钢  
 表面处理：  
 铁：镀镍/镀锌/镀铬/电泳  
 不锈钢：抛光  
 产品净重：18.9g  
 承重：60kg  
 包装：1000套/箱  
 应用范围：食品加工机、工业设备、防疫设备、医疗用品设备箱，运输设备

Item: toggle latch  
 Material: mild steel/ stainless steel  
 Finish:  
 1. nickel/zinc/chrome plated for mild steel  
 2. Electrophoresis For Mild Steel  
 3. Tumbled for stainless steel  
 Net Weight: 18.9g  
 Bearing Capacity: 60kg  
 Packing: 1000 pcs/ctn  
 Application: refrigerated truck; freezer truck; Electric cabinet; Electronic communication equipment

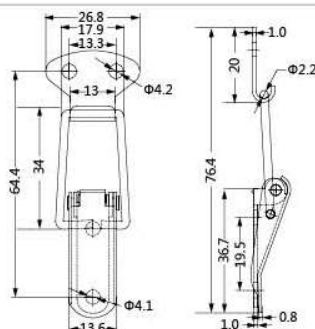
**MODEL:J105-3**



名称：搭扣  
 材质：铁/不锈钢  
 表面处理：  
 铁：镀镍/镀锌/镀铬/电泳  
 不锈钢：抛光  
 产品净重：17.5g  
 承重：60kg  
 包装：1000套/箱  
 应用范围：食品加工机、工业设备、防疫设备、医疗用品设备箱，运输设备

Item: toggle latch  
 Material: mild steel/ stainless steel  
 Finish:  
 1. nickel/zinc/chrome plated for mild steel  
 2. Electrophoresis For Mild Steel  
 3. Tumbled for stainless steel  
 Net Weight: 17.5g  
 Bearing Capacity: 60kg  
 Packing: 1000 pcs/ctn  
 Application: refrigerated truck; freezer truck; Electric cabinet; Electronic communication equipment

**MODEL:J117-34**



名称：搭扣  
 材质：铁/不锈钢  
 表面处理：  
 铁：镀镍/镀锌/镀铬/电泳  
 不锈钢：抛光  
 产品净重：13.9g  
 承重：40kg  
 包装：1500套/箱  
 应用范围：食品加工机、工业设备、防疫设备、医疗用品设备箱，运输设备

Item: toggle latch  
 Material: mild steel/ stainless steel  
 Finish:  
 1. nickel/zinc/chrome plated for mild steel  
 2. Electrophoresis For Mild Steel  
 3. Tumbled for stainless steel  
 Net Weight: 13.9g  
 Bearing Capacity: 40kg  
 Packing: 1500 pcs/ctn  
 Application: refrigerated truck; freezer truck; Electric cabinet; Electronic communication equipment

**MODEL:J122**

**名称:** 搭扣  
**材质:** 铁/不锈钢  
**表面处理:**  
 铁: 镀镍/镀锌/镀铬/电泳  
 不锈钢: 抛光  
**产品净重:** 57g  
**承重:** 120kg  
**包装:** 400套/箱  
**应用范围:** 食品加工机、工业设备、防疫设备、医疗用品设备箱, 运输设备

**Item:** toggle latch  
**Material:** mild steel/ stainless steel  
**Finish:**  
 1. nickel/zinc/chrome plated for mild steel  
 2. Electrophoresis For Mild Steel  
 3. Tumbled for stainless steel  
**Net Weight:** 57g  
**Bearing Capacity:** 120kg  
**Packing:** 400 pcs/ctn  
**Application:** refrigerated truckle; freezer truck; Electric cabinet; Electronic communication equipment

**MODEL:J003**

**名称:** 搭扣  
**材质:** 铁/不锈钢  
**表面处理:**  
 铁: 镀镍/镀锌/镀铬/电泳  
 不锈钢: 抛光  
**产品净重:** 27.7g  
**承重:** 80kg  
**包装:** 500套/箱  
**应用范围:** 食品加工机、工业设备、防疫设备、医疗用品设备箱, 运输设备

**Item:** toggle latch  
**Material:** mild steel/ stainless steel  
**Finish:**  
 1. nickel/zinc/chrome plated for mild steel  
 2. Electrophoresis For Mild Steel  
 3. Tumbled for stainless steel  
**Net Weight:** 27.7g  
**Bearing Capacity:** 80kg  
**Packing:** 500 pcs/ctn  
**Application:** refrigerated truckle; freezer truck; Electric cabinet; Electronic communication equipment

**MODEL:J102B**

**名称:** 搭扣  
**材质:** 铁/不锈钢  
**表面处理:**  
 铁: 镀镍/镀锌/镀铬/电泳  
 不锈钢: 抛光  
**产品净重:** 53.9g  
**承重:** 120kg  
**包装:** 400套/箱  
**应用范围:** 食品加工机、工业设备、防疫设备、医疗用品设备箱, 运输设备

**Item:** toggle latch  
**Material:** mild steel/ stainless steel  
**Finish:**  
 1. nickel/zinc/chrome plated for mild steel  
 2. Electrophoresis For Mild Steel  
 3. Tumbled for stainless steel  
**Net Weight:** 53.9g  
**Bearing Capacity:** 120kg  
**Packing:** 400 pcs/ctn  
**Application:** refrigerated truckle; freezer truck; Electric cabinet; Electronic communication equipment

**MODEL:J103B**

**名称:** 搭扣  
**材质:** 铁/不锈钢  
**表面处理:**  
 铁: 镀镍/镀锌/镀铬/电泳  
 不锈钢: 抛光  
**产品净重:** 35.2g  
**承重:** 60kg  
**包装:** 500套/箱  
**应用范围:** 食品加工机、工业设备、防疫设备、医疗用品设备箱, 运输设备

**Item:** toggle latch  
**Material:** mild steel/ stainless steel  
**Finish:**  
 1. nickel/zinc/chrome plated for mild steel  
 2. Electrophoresis For Mild Steel  
 3. Tumbled for stainless steel  
**Net Weight:** 35.2g  
**Bearing Capacity:** 60kg  
**Packing:** 500 pcs/ctn  
**Application:** refrigerated truckle; freezer truck; Electric cabinet; Electronic communication equipment

**MODEL:J104A**

**名称:** 搭扣  
**材质:** 铁/不锈钢  
**表面处理:**  
 铁: 镀镍/镀锌/镀铬/电泳  
 不锈钢: 抛光  
**产品净重:** 34.5g  
**承重:** 80kg  
**包装:** 500套/箱  
**应用范围:** 食品加工机、工业设备、防疫设备、医疗用品设备箱, 运输设备

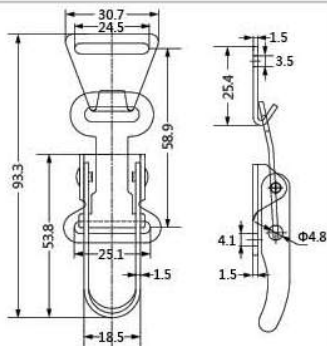
**Item:** toggle latch  
**Material:** mild steel/ stainless steel  
**Finish:**  
 1. nickel/zinc/chrome plated for mild steel  
 2. Electrophoresis For Mild Steel  
 3. Tumbled for stainless steel  
**Net Weight:** 34.5g  
**Bearing Capacity:** 80kg  
**Packing:** 500 pcs/ctn  
**Application:** refrigerated truckle; freezer truck; Electric cabinet; Electronic communication equipment

**MODEL:J304 ★**

**名称:** 搭扣  
**材质:** 铁/不锈钢  
**表面处理:**  
 铁: 镀镍/镀锌/镀铬/电泳  
 不锈钢: 抛光  
**产品净重:** 24g  
**承重:** 60kg  
**包装:** 500套/箱  
**应用范围:** 食品加工机、工业设备、防疫设备、医疗用品设备箱, 运输设备

**Item:** toggle latch  
**Material:** mild steel/ stainless steel  
**Finish:**  
 1. nickel/zinc/chrome plated for mild steel  
 2. Electrophoresis For Mild Steel  
 3. Tumbled for stainless steel  
**Net Weight:** 24g  
**Bearing Capacity:** 60kg  
**Packing:** 500 pcs/ctn  
**Application:** refrigerated truckle; freezer truck; Electric cabinet; Electronic communication equipment

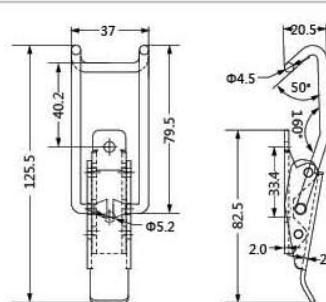
**MODEL:J508**



**名称:** 搭扣  
**材质:** 铁/不锈钢  
**表面处理:**  
 铁: 镀镍/镀锌/镀铬/电泳  
 不锈钢: 抛光  
**产品净重:** 25.7g  
**承重:** 60kg  
**包装:** 500套/箱  
**应用范围:** 食品加工机、工业设备、防疫设备、医疗用品设备箱, 运输设备

**Item:** toggle latch  
**Material:** mild steel/ stainless steel  
**Finish:**  
 1. nickle/zinc/chrome plated for mild steel  
 2. Electrophoresis For Mild Steel  
 3. Tumbled for stainless steel  
**Net Weight:** 25.7g  
**Bearing Capacity:** 60kg  
**Packing:** 500 pcs/ctn  
**Application:** refrigerated truckle; freezer truck; Electric cabinet; Electronic communication equipment

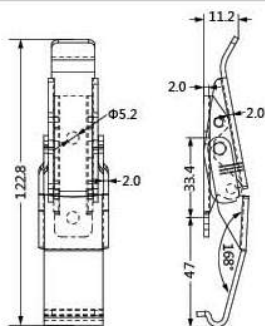
**MODEL:J509**



**名称:** 搭扣  
**材质:** 铁/不锈钢  
**表面处理:**  
 铁: 镀镍/镀锌/镀铬/电泳  
 不锈钢: 抛光  
**产品净重:** 88.6g  
**承重:** 80kg  
**包装:** 300套/箱  
**应用范围:** 食品加工机、工业设备、防疫设备、医疗用品设备箱, 运输设备

**Item:** toggle latch  
**Material:** mild steel/ stainless steel  
**Finish:**  
 1. nickle/zinc/chrome plated for mild steel  
 2. Electrophoresis For Mild Steel  
 3. Tumbled for stainless steel  
**Net Weight:** 88.6g  
**Bearing Capacity:** 80kg  
**Packing:** 300 pcs/ctn  
**Application:** refrigerated truckle; freezer truck; Electric cabinet; Electronic communication equipment

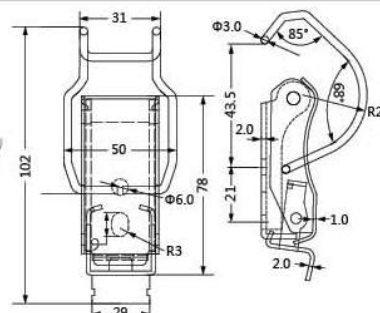
**MODEL:J510**



**名称:** 搭扣  
**材质:** 铁/不锈钢  
**表面处理:**  
 铁: 镀镍/镀锌/镀铬/电泳  
 不锈钢: 抛光  
**产品净重:** 99.6g  
**承重:** 100kg  
**包装:** 300套/箱  
**应用范围:** 食品加工机、工业设备、防疫设备、医疗用品设备箱, 运输设备

**Item:** toggle latch  
**Material:** mild steel/ stainless steel  
**Finish:**  
 1. nickle/zinc/chrome plated for mild steel  
 2. Electrophoresis For Mild Steel  
 3. Tumbled for stainless steel  
**Net Weight:** 99.6g  
**Bearing Capacity:** 100kg  
**Packing:** 300 pcs/ctn  
**Application:** refrigerated truckle; freezer truck; Electric cabinet; Electronic communication equipment

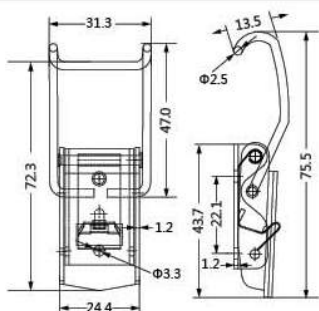
**MODEL:J114 ★**



**名称:** 搭扣  
**材质:** 铁/不锈钢  
**表面处理:**  
 铁: 镀镍/镀锌/镀铬/电泳  
 不锈钢: 抛光  
**产品净重:** 99.6g  
**承重:** 40kg  
**包装:** 250套/箱  
**应用范围:** 食品加工机、工业设备、防疫设备、医疗用品设备箱, 运输设备

**Item:** toggle latch  
**Material:** mild steel/ stainless steel  
**Finish:**  
 1. nickle/zinc/chrome plated for mild steel  
 2. Electrophoresis For Mild Steel  
 3. Tumbled for stainless steel  
**Net Weight:** 99.6g  
**Bearing Capacity:** 40kg  
**Packing:** 250 pcs/ctn  
**Application:** refrigerated truckle; freezer truck; Electric cabinet; Electronic communication equipment

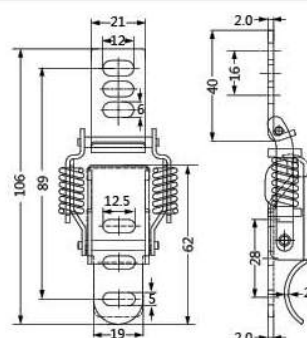
**MODEL:J303A**



**名称:** 搭扣  
**材质:** 铁/不锈钢  
**表面处理:**  
 铁: 镀镍/镀锌/镀铬/电泳  
 不锈钢: 抛光  
**产品净重:** 31g  
**承重:** 30kg  
**包装:** 500套/箱  
**应用范围:** 食品加工机、工业设备、防疫设备、医疗用品设备箱, 运输设备

**Item:** toggle latch  
**Material:** mild steel/ stainless steel  
**Finish:**  
 1. nickle/zinc/chrome plated for mild steel  
 2. Electrophoresis For Mild Steel  
 3. Tumbled for stainless steel  
**Net Weight:** 31g  
**Bearing Capacity:** 30kg  
**Packing:** 500 pcs/ctn  
**Application:** refrigerated truckle; freezer truck; Electric cabinet; Electronic communication equipment

**MODEL:J008B**

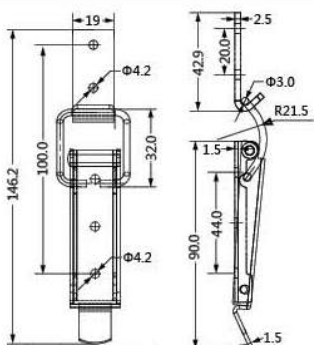


**名称:** 搭扣  
**材质:** 铁/不锈钢  
**表面处理:**  
 铁: 镀镍/镀锌/镀铬/电泳  
 不锈钢: 抛光  
**产品净重:** 77g  
**承重:** 80kg  
**包装:** 500套/箱  
**应用范围:** 食品加工机、工业设备、防疫设备、医疗用品设备箱, 运输设备

**Item:** toggle latch  
**Material:** mild steel/ stainless steel  
**Finish:**  
 1. nickle/zinc/chrome plated for mild steel  
 2. Electrophoresis For Mild Steel  
 3. Tumbled for stainless steel  
**Net Weight:** 77g  
**Bearing Capacity:** 80kg  
**Packing:** 500 pcs/ctn  
**Application:** refrigerated truckle; freezer truck; Electric cabinet; Electronic communication equipment



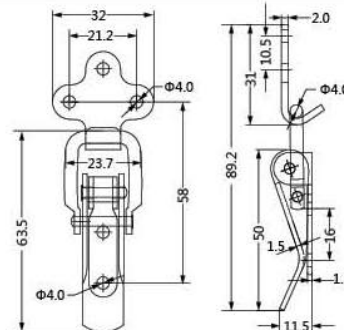
**MODEL:J310 ★**



**名称:** 搭扣  
**材质:** 铁/不锈钢  
**表面处理:**  
**铁:** 镀镍/镀锌/镀铬/电泳  
**不锈钢:** 抛光  
**产品净重:** 78.3g  
**承重:** 90kg  
**包装:** 300套/箱  
**应用范围:** 食品加工机、工业设备、防疫设备、医疗用品设备箱、运输设备

**Item:** toggle latch  
**Material:** mild steel/ stainless steel  
**Finish:**  
 1. nickle/zinc/chrome plated for mild steel  
 2. Electrophoresis For Mild Steel  
 3. Tumbled for stainless steel  
**Net Weight:** 78.3g  
**Bearing Capacity:** 90kg  
**Packing:** 300 pcs/ctn  
**Application:** refrigerated truckle; freezer truck; Electric cabinet; Electronic communication equipment

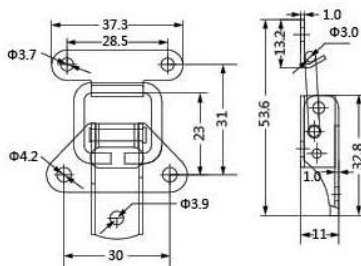
**MODEL:J501**



**名称:** 搭扣  
**材质:** 铁/不锈钢  
**表面处理:**  
**铁:** 镀镍/镀锌/镀铬/电泳  
**不锈钢:** 抛光  
**产品净重:** 34.4g  
**承重:** 50kg  
**包装:** 300套/箱  
**应用范围:** 食品加工机、工业设备、防疫设备、医疗用品设备箱、运输设备

**Item:** toggle latch  
**Material:** mild steel/ stainless steel  
**Finish:**  
 1. nickle/zinc/chrome plated for mild steel  
 2. Electrophoresis For Mild Steel  
 3. Tumbled for stainless steel  
**Net Weight:** 34.4g  
**Bearing Capacity:** 50kg  
**Packing:** 300 pcs/ctn  
**Application:** refrigerated truckle; freezer truck; Electric cabinet; Electronic communication equipment

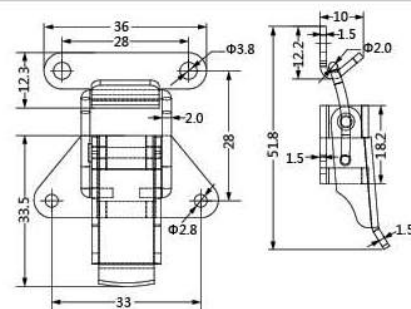
**MODEL:J500**



**名称:** 搭扣  
**材质:** 铁/不锈钢  
**表面处理:**  
**铁:** 镀镍/镀锌/镀铬/电泳  
**不锈钢:** 抛光  
**产品净重:** 18.3g  
**承重:** 40kg  
**包装:** 1000套/箱  
**应用范围:** 厨具设备; 工业设备、家具

**Item:** toggle latch  
**Material:** mild steel/ stainless steel  
**Finish:**  
 1. nickle/zinc/chrome plated for mild steel  
 2. Electrophoresis For Mild Steel  
 3. Tumbled for stainless steel  
**Net weight:** 18.3g  
**Bearing capacity:** 40kg  
**Packing:** 1000pcs/ctn  
**Application:** Electric cabinet; Electronic communication equipment; kitchen ware

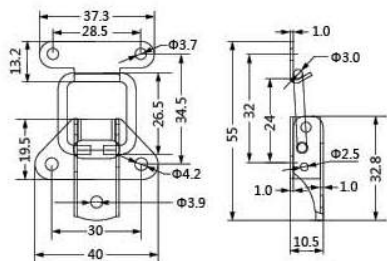
**MODEL:J500A ★**



**名称:** 搭扣  
**材质:** 铁/不锈钢  
**表面处理:**  
**铁:** 镀镍/镀锌/镀铬/电泳  
**不锈钢:** 抛光  
**产品净重:** 21.6g  
**承重:** 30kg  
**应用范围:** 厨具设备; 工业设备、家具

**Item:** toggle latch  
**Material:** mild steel/ stainless steel  
**Finish:**  
 1. nickle/zinc/chrome plated for mild steel  
 2. Electrophoresis For Mild Steel  
 3. Tumbled for stainless steel  
**Net weight:** 21.6g  
**Bearing capacity:** 30kg  
**Application:** Electric cabinet; Electronic communication equipment; kitchen ware

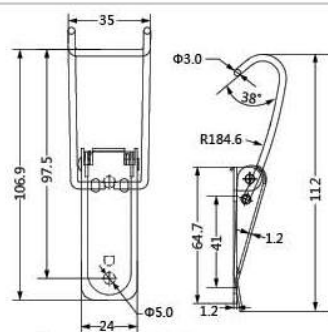
**MODEL:J500B**



**名称:** 搭扣  
**材质:** 铁/不锈钢  
**表面处理:**  
**铁:** 镀镍/镀锌/镀铬/电泳  
**不锈钢:** 抛光  
**产品净重:** 18.3g  
**承重:** 40kg  
**包装:** 1000套/箱  
**应用范围:** 厨具设备; 工业设备、家具

**Item:** toggle latch  
**Material:** mild steel/ stainless steel  
**Finish:**  
 1. nickle/zinc/chrome plated for mild steel  
 2. Electrophoresis For Mild Steel  
 3. Tumbled for stainless steel  
**Net weight:** 18.3g  
**Bearing capacity:** 40kg  
**Packing:** 1000pcs/ctn  
**Application:** Electric cabinet; Electronic communication equipment; kitchen ware

**MODEL:J113B**



**名称:** 搭扣  
**材质:** 铁/不锈钢  
**表面处理:**  
**铁:** 镀镍/镀锌/镀铬/电泳  
**不锈钢:** 抛光  
**产品净重:** 45.9g  
**承重:** 30kg  
**包装:** 400套/箱  
**应用范围:** 厨具设备; 工业设备、家具

**Item:** toggle latch  
**Material:** mild steel/ stainless steel  
**Finish:**  
 1. nickle/zinc/chrome plated for mild steel  
 2. Electrophoresis For Mild Steel  
 3. Tumbled for stainless steel  
**Net weight:** 45.9g  
**Bearing capacity:** 30kg  
**Packing:** 400 pcs/ctn  
**Application:** Electric cabinet; Electronic communication equipment; kitchen ware

**MODEL:J601**

名称：广告锁  
 材质：不锈钢  
 表面处理：振光  
 产品净重：113.2g  
 承重：150kg  
 包装：200套/箱  
 应用范围：广告灯箱、LED灯箱，工业设备

Item : latch lock  
 Material : stainless steel  
 Finish: Tumbled  
 Net weight: 113.2g  
 Bearing capacity : 150kg  
 Packing : 200 pcs/ctn  
 Application : advertisement equipment accessory : LED light trunk accessory

**MODEL:J601A**

名称：广告锁  
 材质：不锈钢  
 表面处理：振光  
 产品净重：120.2g  
 承重：150kg  
 包装：200套/箱  
 应用范围：广告灯箱、LED灯箱，工业设备

Item : latch lock  
 Material : stainless steel  
 Finish: Tumbled  
 Net weight: 120.2g  
 Bearing capacity : 150kg  
 Packing : 200 pcs/ctn  
 Application : advertisement equipment accessory : LED light trunk accessory

**MODEL:J602**

名称：广告锁  
 材质：不锈钢  
 表面处理：振光  
 产品净重：119.7g  
 承重：150kg  
 包装：200套/箱  
 应用范围：广告灯箱、LED灯箱，工业设备

Item : latch lock  
 Material : stainless steel  
 Finish: Tumbled  
 Net weight: 119.7g  
 Bearing capacity : 150kg  
 Packing : 200 pcs/ctn  
 Application : advertisement equipment accessory : LED light trunk accessory

**MODEL:J602A**

名称：广告锁  
 材质：不锈钢  
 表面处理：振光  
 产品净重：124g  
 承重：150kg  
 包装：200套/箱  
 应用范围：广告灯箱、LED灯箱，工业设备

Item : latch lock  
 Material : stainless steel  
 Finish: Tumbled  
 Net weight: 124g  
 Bearing capacity : 150kg  
 Packing : 200 pcs/ctn  
 Application : advertisement equipment accessory : LED light trunk accessory

**MODEL:J603**

名称：广告锁  
 材质：不锈钢  
 表面处理：振光  
 产品净重：128.5g  
 承重：150kg  
 包装：160套/箱  
 应用范围：广告灯箱、LED灯箱，工业设备

Item : latch lock  
 Material : stainless steel  
 Finish: Tumbled  
 Net weight: 128.5g  
 Bearing capacity : 150kg  
 Packing : 160 pcs/ctn  
 Application : advertisement equipment accessory : LED light trunk accessory

**MODEL:J603A**

名称：广告锁  
 材质：不锈钢  
 表面处理：振光  
 产品净重：130.7g  
 承重：150kg  
 包装：160套/箱  
 应用范围：广告灯箱、LED灯箱，工业设备

Item : latch lock  
 Material : stainless steel  
 Finish: Tumbled  
 Net weight: 130.7g  
 Bearing capacity : 150kg  
 Packing : 160 pcs/ctn  
 Application : advertisement equipment accessory : LED light trunk accessory

**MODEL:J604**

名称：广告锁  
 材质：不锈钢  
 表面处理：振光  
 产品净重：136.4g  
 承重：150kg  
 包装：100套/箱  
 应用范围：广告灯箱、LED灯箱，工业设备

Item : latch lock  
 Material : stainless steel  
 Finish: Tumbled  
 Net weight: 136.4g  
 Bearing capacity : 150kg  
 Packing : 100 pcs/ctn  
 Application : advertisement equipment accessory ; LED light trunk accessory

**MODEL:J604A**

名称：广告锁  
 材质：不锈钢  
 表面处理：振光  
 产品净重：145.7g  
 承重：150kg  
 包装：100套/箱  
 应用范围：广告灯箱、LED灯箱，工业设备

Item : latch lock  
 Material : stainless steel  
 Finish: Tumbled  
 Net weight: 145.7g  
 Bearing capacity : 150kg  
 Packing : 100 pcs/ctn  
 Application : advertisement equipment accessory ; LED light trunk accessory

**MODEL:J605**

名称：广告锁  
 材质：不锈钢  
 表面处理：振光  
 产品净重：132.7g  
 承重：150kg  
 包装：200套/箱  
 应用范围：广告灯箱、LED灯箱，工业设备

Item : latch lock  
 Material : stainless steel  
 Finish: Tumbled  
 Net weight: 132.7g  
 Bearing capacity : 150kg  
 Packing : 200 pcs/ctn  
 Application : advertisement equipment accessory ; LED light trunk accessory

**MODEL:J605B**

名称：广告锁  
 材质：不锈钢  
 表面处理：振光  
 产品净重：157g  
 承重：150kg  
 包装：200套/箱  
 应用范围：广告灯箱、LED灯箱，工业设备

Item : latch lock  
 Material : stainless steel  
 Finish: Tumbled  
 Net weight: 157g  
 Bearing capacity : 150kg  
 Packing : 200 pcs/ctn  
 Application : advertisement equipment accessory ; LED light trunk accessory

**MODEL:J606**

名称：广告锁  
 材质：不锈钢  
 表面处理：振光  
 产品净重：142.7g  
 承重：150kg  
 包装：160套/箱  
 应用范围：广告灯箱、LED灯箱，工业设备

Item : latch lock  
 Material : stainless steel  
 Finish: Tumbled  
 Net weight: 142.7g  
 Bearing capacity : 150kg  
 Packing : 160 pcs/ctn  
 Application : advertisement equipment accessory ; LED light trunk accessory

**MODEL:J606A**

名称：广告锁  
 材质：不锈钢  
 表面处理：振光  
 产品净重：149g  
 承重：150kg  
 包装：160套/箱  
 应用范围：广告灯箱、LED灯箱，工业设备

Item : latch lock  
 Material : stainless steel  
 Finish: Tumbled  
 Net weight: 149g  
 Bearing capacity : 150kg  
 Packing : 160 pcs/ctn  
 Application : advertisement equipment accessory ; LED light trunk accessory

**MODEL:J606B**

名称：广告锁  
 材质：不锈钢  
 表面处理：振光  
 产品净重：159.5g  
 承重：150kg  
 包装：160套/箱  
 应用范围：广告灯箱、LED灯箱，工业设备

Item : latch lock  
 Material : stainless steel  
 Finish: Tumbled  
 Net weight: 159.5g  
 Bearing capacity : 150kg  
 Packing : 160 pcs/ctn  
 Application : advertisement equipment accessory ; LED light trunk accessory

**MODEL:J606C**

名称：广告锁  
 材质：不锈钢  
 表面处理：振光  
 产品净重：157.9g  
 承重：150kg  
 包装：160套/箱  
 应用范围：广告灯箱、LED灯箱，工业设备

Item : latch lock  
 Material : stainless steel  
 Finish: Tumbled  
 Net weight: 157.9g  
 Bearing capacity : 150kg  
 Packing : 160 pcs/ctn  
 Application : advertisement equipment accessory ; LED light trunk accessory

**MODEL:J606D**

名称：广告锁  
 材质：不锈钢  
 表面处理：振光  
 产品净重：160.8g  
 承重：150kg  
 包装：160套/箱  
 应用范围：广告灯箱、LED灯箱，工业设备

Item : latch lock  
 Material : stainless steel  
 Finish: Tumbled  
 Net weight: 160.8g  
 Bearing capacity : 150kg  
 Packing : 160 pcs/ctn  
 Application : advertisement equipment accessory ; LED light trunk accessory

**MODEL:J606E**

名称：广告锁  
 材质：不锈钢  
 表面处理：振光  
 产品净重：165.4g  
 承重：150kg  
 包装：160套/箱  
 应用范围：广告灯箱、LED灯箱，工业设备

Item : latch lock  
 Material : stainless steel  
 Finish: Tumbled  
 Net weight: 165.4g  
 Bearing capacity : 150kg  
 Packing : 160 pcs/ctn  
 Application : advertisement equipment accessory ; LED light trunk accessory

**MODEL:J606F**

名称：广告锁  
 材质：不锈钢  
 表面处理：振光  
 产品净重：145g  
 承重：150kg  
 包装：100套/箱  
 应用范围：广告灯箱、LED灯箱，工业设备

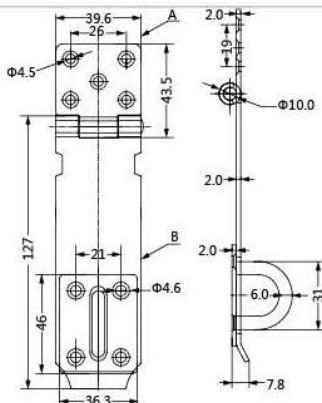
Item : latch lock  
 Material : stainless steel  
 Finish: Tumbled  
 Net weight: 145g  
 Bearing capacity : 150kg  
 Packing : 100 pcs/ctn  
 Application : advertisement equipment accessory ; LED light trunk accessory

**MODEL:J606G**

名称：广告锁  
 材质：不锈钢  
 表面处理：振光  
 产品净重：180.2g  
 承重：150kg  
 包装：100套/箱  
 应用范围：广告灯箱、LED灯箱，工业设备

Item : latch lock  
 Material : stainless steel  
 Finish: Tumbled  
 Net weight: 180.2g  
 Bearing capacity : 150kg  
 Packing : 100 pcs/ctn  
 Application : advertisement equipment accessory ; LED light trunk accessory

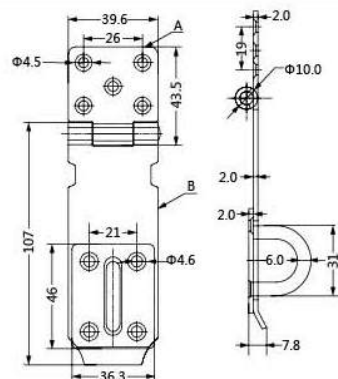
**MODEL:J701**



名称: 锁牌  
 材质: 铁/不锈钢  
 表面处理:  
 铁: 镀镍/镀锌/镀铬  
 不锈钢: 振光  
 产品净重: 146g  
 承重: 180kg  
 包装: 160套/箱  
 应用范围: 家具、工业设备

Item: hasp and staple  
 Material: Mild Steel/ Stainless Steel  
 Finish:  
 1. Nickel/zinc/chrome Plated For Mild Steel  
 2. Tumbled For Stainless Steel  
 Net Weight: 146g  
 Bearing Capacity: 180 kg  
 Packing: 160 pcs/ctn  
 Application: Furniture industrial equipment

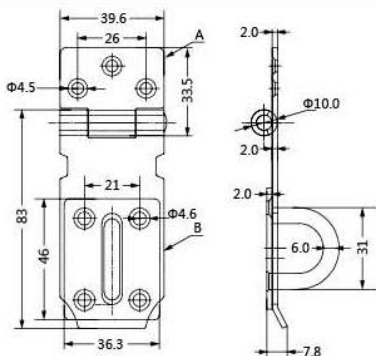
**MODEL:J702**



名称: 锁牌  
 材质: 铁/不锈钢  
 表面处理:  
 铁: 镀镍/镀锌/镀铬  
 不锈钢: 振光  
 产品净重: 135g  
 承重: 180kg  
 包装: 200套/箱  
 应用范围: 家具、工业设备

Item: hasp and staple  
 Material: Mild Steel/ Stainless Steel  
 Finish:  
 1. Nickel/zinc/chrome Plated For Mild Steel  
 2. Tumbled For Stainless Steel  
 Net Weight: 135g  
 Bearing Capacity: 180kg  
 Packing: 200 pcs/ctn  
 Application: Furniture industrial equipment

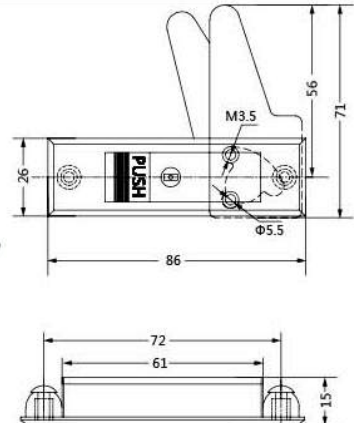
**MODEL:J703**



名称: 锁牌  
 材质: 铁/不锈钢  
 表面处理:  
 铁: 镀镍/镀锌/镀铬  
 不锈钢: 振光  
 产品净重: 114.9g  
 承重: 150kg  
 包装: 200套/箱  
 应用范围: 家具、工业设备

Item: hasp and staple  
 Material: Mild Steel/ Stainless Steel  
 Finish:  
 1. Nickel/zinc/chrome Plated For Mild Steel  
 2. Tumbled For Stainless Steel  
 Net Weight: 114.9g  
 Bearing Capacity: 150kg  
 Packing: 200 pcs/ctn  
 Application: Furniture industrial equipment

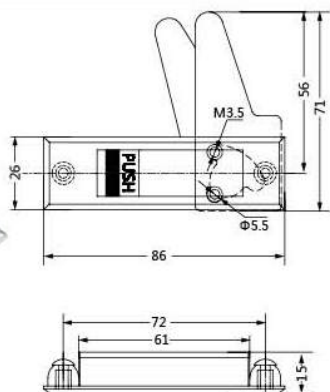
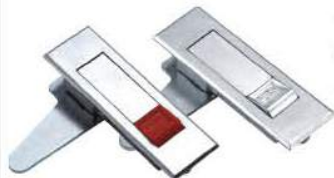
**MODEL:J603-1**



名称: 电箱锁  
 材质: 锌合金  
 表面处理: 挂铬  
 产品净重: 100g  
 包装: 200套/箱  
 应用范围: 电箱、电柜、音响设备

Item: electrical cabinet lock  
 Material: Zinc alloy  
 Finish: Chrome plated  
 Net weight: 100g  
 Packing: 200 pcs/ctn  
 Application: electrical cabinet; musical equipment

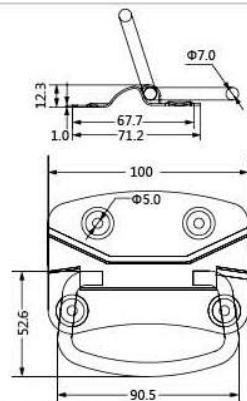
**MODEL:J603-2**



名称: 电箱锁  
 材质: 锌合金  
 表面处理: 挂铬  
 产品净重: 86g  
 包装: 200套/箱  
 应用范围: 电箱、电柜、音响设备

Item: electrical cabinet lock  
 Material: Zinc alloy  
 Finish: Chrome plated  
 Net weight: 86g  
 Packing: 200 pcs/ctn  
 Application: electrical cabin musical equipment

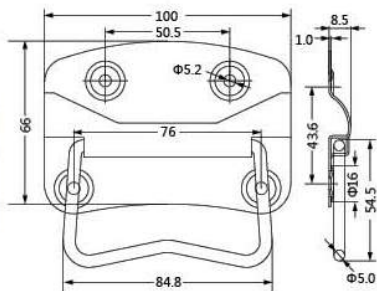
**MODEL:J201A粗线**



名称: 抽手  
 材质: 铁/不锈钢  
 表面处理: 镀镍/镀锌/镀铬/电泳  
 不锈钢: 振光  
 产品净重: 108.5g  
 承重: 150kg  
 包装: 250套/箱  
 应用范围: 工具箱、木箱; 厨具, 运输箱

Item: handle  
 Material: mild steel/ stainless steel  
 Finish:  
 1. nickel/zinc/chrome plated for mild steel  
 2. electrophoresis for mild steel  
 3. Tumbled for stainless steel  
 Net weight: 108.5g  
 Bearing capacity: 150kg  
 Packing: 250 pcs/ctn  
 Application: Wooden case; Electric cabinet; tool boxes; storage

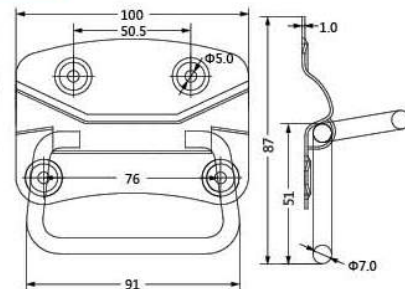
**MODEL:J201B细线**



名称: 抽手  
 材质: 铁/不锈钢  
 表面处理: 镀镍/镀锌/镀铬/电泳  
 不锈钢: 抛光  
 产品净重: 86.6g  
 承重: 100kg  
 包装: 250套/箱  
 应用范围: 工具箱,木箱; 厨具, 运输箱

Item : handle  
 Material : mild steel/ stainless steel  
 Finish:  
 1. nickle/zinc/chrome plated for mild steel  
 2. electrophoresis for mild steel  
 3. Tumbled for stainless steel  
 Net weight: 86.6g  
 Bearing capacity : 100kg  
 Packing : 250 pcs/ctn  
 Application : Wooden case;Electric cabinet;tool boxes,storage

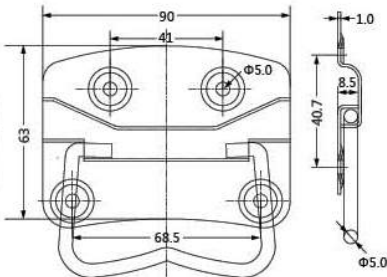
**MODEL:J201T-1(粗线-1)**



名称: 抽手  
 材质: 铁/不锈钢  
 表面处理: 镀镍/镀锌/镀铬/电泳  
 不锈钢: 抛光  
 产品净重: 112.2g  
 承重: 100kg  
 包装: 250套/箱  
 应用范围: 工具箱,木箱; 厨具, 运输箱

Item : handle  
 Material : mild steel/ stainless steel  
 Finish:  
 1. nickle/zinc/chrome plated for mild steel  
 2. electrophoresis for mild steel  
 3. Tumbled for stainless steel  
 Net weight: 112.2g  
 Bearing capacity : 100kg  
 Packing : 250 pcs/ctn  
 Application : Wooden case;Electric cabinet;tool boxes,storage

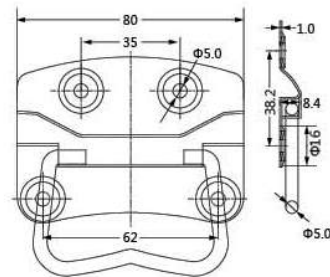
**MODEL:J202**



名称: 抽手  
 材质: 铁/不锈钢  
 表面处理: 镀镍/镀锌/镀铬/电泳  
 不锈钢: 抛光  
 产品净重: 75.5g  
 承重: 100kg  
 包装: 250套/箱  
 应用范围: 工具箱,木箱; 厨具, 运输箱

Item : handle  
 Material : mild steel/ stainless steel  
 Finish:  
 1. nickle/zinc/chrome plated for mild steel  
 2. electrophoresis for mild steel  
 3. Tumbled for stainless steel  
 Net weight: 75.5g  
 Bearing capacity : 100kg  
 Packing : 250 pcs/ctn  
 Application : Wooden case;Electric cabinet;tool boxes,storage

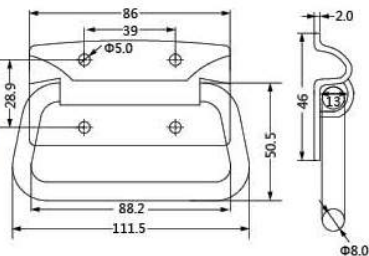
**MODEL:J203**



名称: 抽手  
 材质: 铁/不锈钢  
 表面处理: 镀镍/镀锌/镀铬/电泳  
 不锈钢: 抛光  
 产品净重: 61.6g  
 承重: 80kg  
 包装: 250套/箱  
 应用范围: 工具箱,木箱; 厨具, 运输箱

Item : handle  
 Material : mild steel/ stainless steel  
 Finish:  
 1. nickle/zinc/chrome plated for mild steel  
 2. electrophoresis for mild steel  
 3. Tumbled for stainless steel  
 Net weight: 61.6g  
 Bearing capacity : 80kg  
 Packing : 250 pcs/ctn  
 Application : Wooden case;Electric cabinet;tool boxes,storage

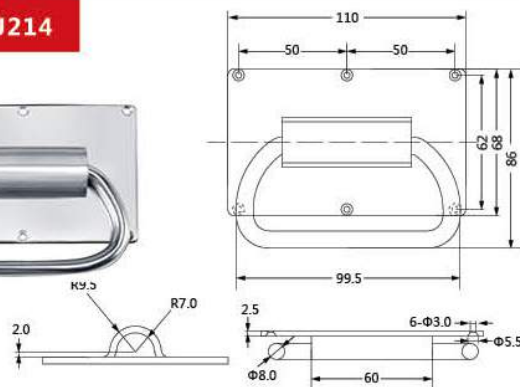
**MODEL:J204**



名称: 抽手  
 材质: 铁/不锈钢  
 表面处理: 镀镍/镀锌/镀铬/电泳  
 不锈钢: 抛光  
 产品净重: 159.1g  
 承重: 250kg  
 包装: 200套/箱  
 应用范围: 工具箱,木箱; 厨具, 运输箱

Item : handle  
 Material : mild steel/ stainless steel  
 Finish:  
 1. nickle/zinc/chrome plated for mild steel  
 2. electrophoresis for mild steel  
 3. Tumbled for stainless steel  
 Net weight: 159.1g  
 Bearing capacity : 250kg  
 Packing : 250 pcs/ctn  
 Application : Wooden case;Electric cabinet;tool boxes,storage

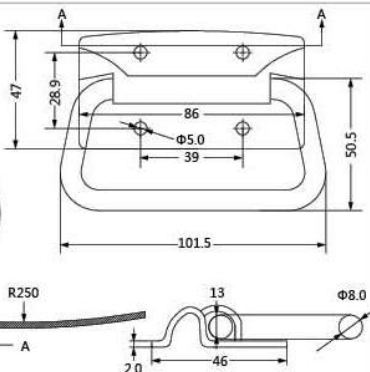
**MODEL:J214**



名称: 抽手  
 材质: 铁/不锈钢  
 表面处理: 镀镍/镀锌/镀铬/电泳  
 不锈钢: 抛光  
 产品净重: 230.8g  
 承重: 300kg  
 包装: 100套/箱  
 应用范围: 运输箱, 航空箱, 木箱

Item : handle  
 Material : mild steel/ stainless steel  
 Finish:  
 1. nickle/zinc/chrome plated for mild steel  
 2. electrophoresis for mild steel  
 3. Tumbled for stainless steel  
 Net weight: 230.8g  
 Bearing capacity : 300kg  
 Packing : 100 pcs/ctn  
 Application : Wooden case;Electric cabinet;tool boxes,storage

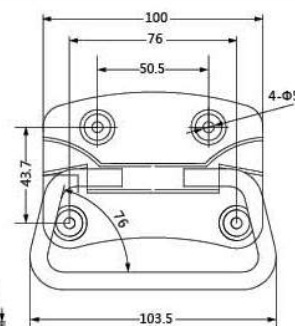
**MODEL:J204C(弯)**



名称: 抽手  
 材质: 铁/不锈钢  
 表面处理:  
 铁: 镀镍/镀锌/镀铬/电泳  
 不锈钢: 抛光  
 产品净重: 159.1g  
 承重: 200kg  
 包装: 200套/箱  
 应用范围: 工具箱,木箱; 厨具, 运输箱

Item : handle  
 Material : mild steel/ stainless steel  
 Finish:  
 1. nickle/zinc/chrome plated for mild steel  
 2.electrophoresis for mild steel  
 3 Tumbled for stainless steel  
 Net weight: 159.1g  
 Bearing capacity : 200kg  
 Packing : 200 pcs/ctn  
 Application : Wooden case;Electric cabinet;tool boxes,storage

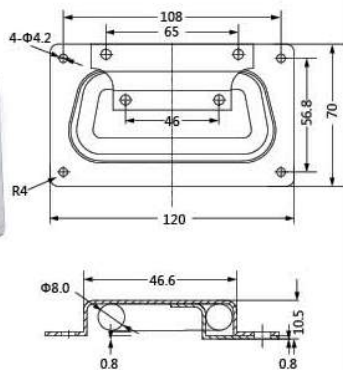
**MODEL:J201T-2(粗线-2)**



名称: 抽手  
 材质: 铁/不锈钢  
 表面处理:  
 铁: 镀镍/镀锌/镀铬/电泳  
 不锈钢: 抛光  
 产品净重: 176.4g  
 承重: 150kg  
 包装: 200套/箱  
 应用范围: 工具箱,木箱; 厨具, 运输箱

Item : handle  
 Material : mild steel/ stainless steel  
 Finish:  
 1. nickle/zinc/chrome plated for mild steel  
 2.electrophoresis for mild steel  
 3. Tumbled for stainless steel  
 Net weight: 176.4g  
 Bearing capacity : 150kg  
 Packing : 200 pcs/ctn  
 Application : Wooden case;Electric cabinet;tool boxes,storage

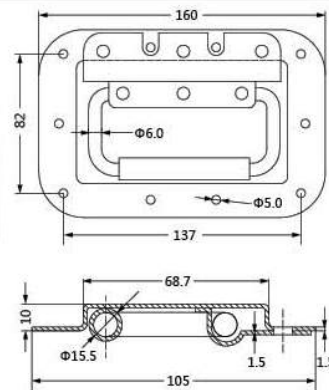
**MODEL:J215**



名称: 抽手  
 材质: 铁  
 表面处理: 镀铬  
 产品净重: 158.6g  
 承重: 100kg  
 包装: 100套/箱  
 应用范围: 工具箱,木箱; 厨具, 运输箱

Item : handle  
 Material : mild steel  
 Finish: chrome plated  
 Net weight: 158.6g  
 Bearing capacity : 100kg  
 Packing : 100 pcs/ctn  
 Application : Wooden case;Electric cabinet;tool boxes,storage

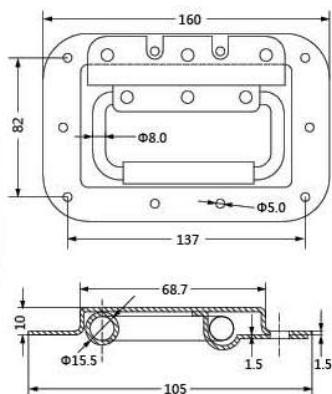
**MODEL:J205A6mm**



名称: 抽手  
 材质: 铁  
 表面处理: 镀铬  
 产品净重: 310g  
 承重: 150kg  
 包装: 50套/箱  
 应用范围: 运输箱,航空箱,木箱

Item : handle  
 Material : mild steel  
 Finish: chrome plated  
 Net weight: 310g  
 Bearing capacity : 150kg  
 Packing : 50 pcs/ctn  
 Application : flightcase ; box, musical equipment ; Military Box

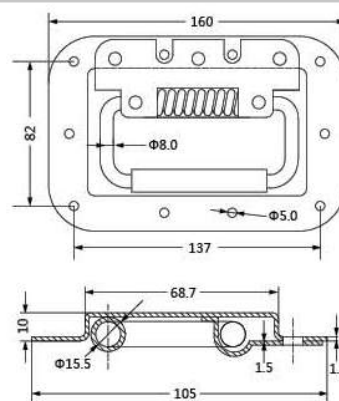
**MODEL:J205A8mm**



名称: 抽手  
 材质: 铁  
 表面处理: 镀铬  
 产品净重: 329g  
 承重: 200kg  
 包装: 50套/箱  
 应用范围: 运输箱,航空箱,木箱

Item : handle  
 Material : mild steel  
 Finish: chrome plated  
 Net weight: 329g  
 Bearing capacity : 200kg  
 Packing : 50 pcs/ctn  
 Application : flightcase ; box, musical equipment ; Military Box

**MODEL:J206**



名称: 抽手  
 材质: 铁  
 表面处理: 镀铬  
 产品净重: 365g  
 承重: 200kg  
 包装: 50套/箱  
 应用范围: 运输箱,航空箱,木箱

Item : handle  
 Material : mild steel  
 Finish: chrome plated  
 Net weight: 365g  
 Bearing capacity : 200kg  
 Packing : 50 pcs/ctn  
 Application : flightcase ; box, musical equipment ; Military Box

**MODEL:J207**

名称: 抽手  
 材质: 铁  
 表面处理: 镀铬  
 产品净重: 231.2g  
 承重: 150kg  
 包装: 100套/箱  
 应用范围: 运输箱、航空箱、木箱

Item: handle  
 Material: mild steel  
 Finish: chrome plated  
 Net weight: 231.2g  
 Bearing capacity: 150kg  
 Packing: 100 pcs/ctn  
 Application: flightcase; box, musical equipment; Military Box

**MODEL:J208**

名称: 抽手  
 材质: 铁  
 表面处理: 镀铬  
 产品净重: 228.7g  
 承重: 150kg  
 包装: 100套/箱  
 应用范围: 运输箱、航空箱、木箱

Item: handle  
 Material: mild steel  
 Finish: chrome plated  
 Net weight: 228.7g  
 Bearing capacity: 150kg  
 Packing: 100 pcs/ctn  
 Application: flightcase; box, musical equipment; Military Box

**MODEL:J209**

名称: 抽手  
 材质: 铁/铝  
 表面处理:  
 1.铁: 镀铬  
 2.铝: 氧化  
 产品净重: 109.5g  
 承重: 40kg  
 包装: 100套/箱  
 应用范围: 运输箱、航空箱、木箱

Item: handle  
 Material: mild steel/aluminum  
 Finish:  
 1.chrome plated for mild steel  
 2.oxidation treatment for aluminum  
 Net weight: 109.5g  
 Bearing capacity: 40kg  
 Packing: 100 pcs/ctn  
 Application: flightcase; box, musical equipment; Military Box

**MODEL:J210A**

名称: 抽手  
 材质: 铁  
 表面处理: 镀铬  
 产品净重: 169g  
 承重: 100kg  
 包装: 100套/箱  
 应用范围: 运输箱、航空箱、木箱

Item: handle  
 Material: mild steel  
 Finish: chrome plated  
 Net weight: 169g  
 Bearing capacity: 100kg  
 Packing: 100 pcs/ctn  
 Application: flightcase; box, musical equipment; Military Box

**MODEL:J210B**

名称: 抽手  
 材质: 铁  
 表面处理: 镀铬  
 产品净重: 202.5g  
 承重: 100kg  
 包装: 100套/箱  
 应用范围: 运输箱、航空箱、木箱

Item: handle  
 Material: mild steel  
 Finish: chrome plated  
 Net weight: 202.5g  
 Bearing capacity: 100kg  
 Packing: 100 pcs/ctn  
 Application: flightcase; box, musical equipment; Military Box

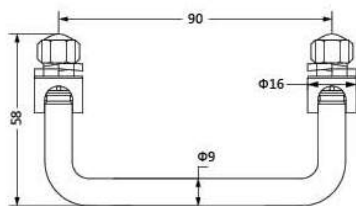
**MODEL:J211**

名称: 抽手  
 材质: 铁  
 表面处理: 镀铬  
 产品净重: 123g  
 承重: 120kg  
 包装: 100套/箱  
 应用范围: 运输箱、航空箱、木箱

Item: handle  
 Material: mild steel  
 Finish: chrome plated  
 Net weight: 123g  
 Bearing capacity: 120kg  
 Packing: 100 pcs/ctn  
 Application: flightcase; box, musical equipment; Military Box



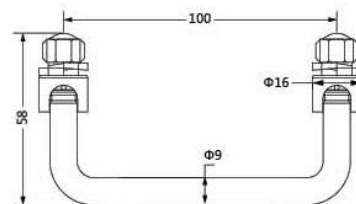
**MODEL:J2100A**



名称：折叠型拉手  
 材质：铁/不锈钢304  
 表面处理：  
 铁：镀铬  
 不锈钢：镜光  
 产品净重：121.8g  
 承重：50kg  
 应用范围：厨具设备；工业设备、家具

Item : handle  
 Material : mild steel/ stainless steel  
 Finish:  
 1. chrome palted for mild steel  
 2. mirrored polishing for stainless steel  
 Net weight: 121.8g  
 Bearing capacity : 50kg  
 Application : Electric cabinet ;  
 Electronic communication  
 equipment ; kitchen ware

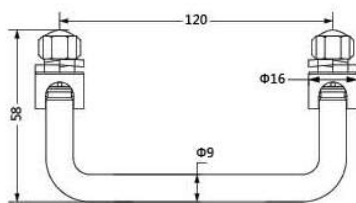
**MODEL:J2100B**



名称：折叠型拉手  
 材质：铁/不锈钢304  
 表面处理：  
 铁：镀铬  
 不锈钢：镜光  
 产品净重：123.8g  
 承重：50kg  
 应用范围：厨具设备；工业设备、家具

Item : handle  
 Material : mild steel/ stainless steel  
 Finish:  
 1. chrome palted for mild steel  
 2. mirrored polishing for stainless steel  
 Net weight: 123.8g  
 Bearing capacity : 50kg  
 Application : Electric cabinet ;  
 Electronic communication  
 equipment ; kitchen ware

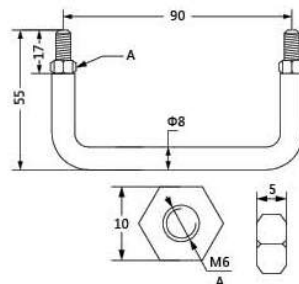
**MODEL:J2100C**



名称：折叠型拉手  
 材质：铁/不锈钢304  
 表面处理：  
 铁：镀铬  
 不锈钢：镜光  
 产品净重：128.2g  
 承重：50kg  
 应用范围：厨具设备；工业设备、家具

Item : handle  
 Material : mild steel/ stainless steel  
 Finish:  
 1. chrome palted for mild steel  
 2. mirrored polishing for stainless steel  
 Net weight: 128.2g  
 Bearing capacity : 50kg  
 Application : Electric cabinet ;  
 Electronic communication  
 equipment ; kitchen ware

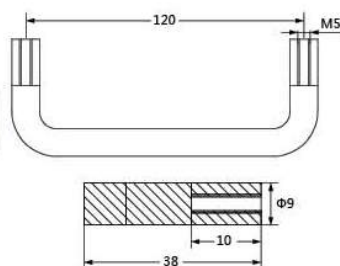
**MODEL:J2200**



名称：抽手  
 材质：铁/不锈钢304  
 表面处理：  
 铁：镀铬  
 不锈钢：镜光  
 产品净重：73.4g  
 承重：80kg  
 应用范围：厨具设备；工业设备、家具

Item : handle  
 Material : mild steel/ stainless steel  
 Finish:  
 1. chrome palted for mild steel  
 2. mirrored polishing for stainless steel  
 Net weight: 73.4g  
 Bearing capacity : 80kg  
 Application : Electric cabinet ;  
 Electronic communication  
 equipment ; kitchen ware

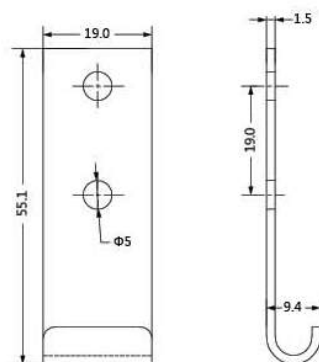
**MODEL:J2300**



名称：抽手  
 材质：铁/不锈钢304  
 表面处理：  
 铁：镀铬  
 不锈钢：镜光  
 产品净重：85g  
 承重：60kg  
 应用范围：厨具设备；工业设备、家具

Item : handle  
 Material : mild steel/ stainless steel  
 Finish:  
 1. chrome palted for mild steel  
 2. mirrored polishing for stainless steel  
 Net weight: 85g  
 Bearing capacity : 60kg  
 Application : Electric cabinet ;  
 Electronic communication  
 equipment ; kitchen ware

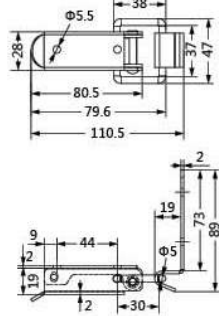
**MODEL:中号B钩**



名称：中号B钩  
 材质：铁/不锈钢  
 表面处理：  
 铁：镀镍/镀锌/镀铬/电泳  
 不锈钢：振光  
 产品净重：13.8g  
 应用范围：食品加工机、工业设备、防疫设备、医疗用品设备箱，运输设备

Item : catch plate M-B  
 Material : Mild Steel/ Stainless Steel  
 Finish:  
 1. Nickle/zinc/chrome Plated For Mild Steel  
 2. Electrophoresis For Mild Steel  
 3. Tumbled For Stainless Steel  
 Net Weight: 13.8g  
 Application: Refrigerated Truckle;  
 Freezer Truck ; Electric Cabinet ;  
 Electronic Communication Equipment

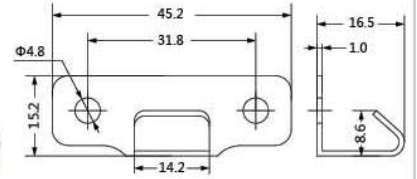
**MODEL:J010**



**名称:** 搭扣  
**材质:** 铁/不锈钢  
**表面处理:**  
 铁: 镀镍/镀锌/镀铬/电泳  
 不锈钢: 振光  
**产品净重:** 166g  
**承重:** 180kg  
**包装:** 200套/箱  
**应用范围:** 食品加工机、工业设备、防疫设备、医疗用品设备箱, 运输设备

**Item:** Toggle Latch  
**Material:** Mild Steel/ Stainless Steel  
**Finish:**  
 1. Nickel/zinc/chrome Plated For Mild Steel  
 2. Electrophoresis For Mild Steel  
 3. Tumbled For Stainless Steel  
**Net Weight:** 166g  
**Bearing Capacity:** 180kg  
**Packing:** 200pcs/ctn  
**Application:** Refrigerated Truck; Freezer Truck; Electric Cabinet; Electronic Communication Equipment

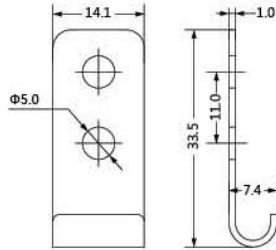
**MODEL:小号B钩**



**名称:** 小号B钩  
**材质:** 铁/不锈钢  
**表面处理:**  
 铁: 镀镍/镀锌/镀铬/电泳  
 不锈钢: 振光  
**产品净重:** 7.1g  
**应用范围:** 食品加工机、工业设备、防疫设备、医疗用品设备箱, 运输设备

**Item:** catch plate S-B  
**Material:** Mild Steel/ Stainless Steel  
**Finish:**  
 1. Nickel/zinc/chrome Plated For Mild Steel  
 2. Electrophoresis For Mild Steel  
 3. Tumbled For Stainless Steel  
**Net Weight:** 7.1g  
**Application:** Refrigerated Truck; Freezer Truck; Electric Cabinet; Electronic Communication Equipment

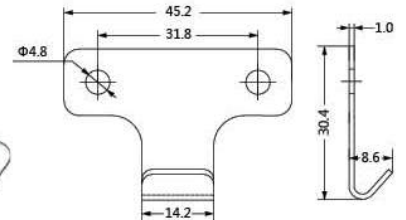
**MODEL:小号C钩**



**名称:** 小号C钩  
**材质:** 铁/不锈钢  
**表面处理:**  
 铁: 镀镍/镀锌/镀铬/电泳  
 不锈钢: 振光  
**产品净重:** 4g  
**应用范围:** 食品加工机、工业设备、防疫设备、医疗用品设备箱, 运输设备

**Item:** catch plate S-C  
**Material:** Mild Steel/ Stainless Steel  
**Finish:**  
 1. Nickel/zinc/chrome Plated For Mild Steel  
 2. Electrophoresis For Mild Steel  
 3. Tumbled For Stainless Steel  
**Net Weight:** 4g  
**Application:** Refrigerated Truck; Freezer Truck; Electric Cabinet; Electronic Communication Equipment

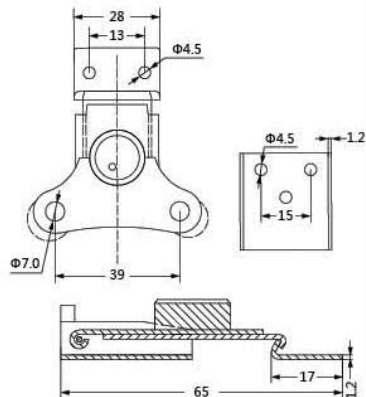
**MODEL:小号D钩**



**名称:** 小号D钩  
**材质:** 铁/不锈钢  
**表面处理:**  
 铁: 镀镍/镀锌/镀铬/电泳  
 不锈钢: 振光  
**产品净重:** 7.1g  
**应用范围:** 食品加工机、工业设备、防疫设备、医疗用品设备箱, 运输设备

**Item:** catch plate S-D  
**Material:** Mild Steel/ Stainless Steel  
**Finish:**  
 1. Nickel/zinc/chrome Plated For Mild Steel  
 2. Electrophoresis For Mild Steel  
 3. Tumbled For Stainless Steel  
**Net Weight:** 7.1g  
**Application:** Refrigerated Truck; Freezer Truck; Electric Cabinet; Electronic Communication Equipment

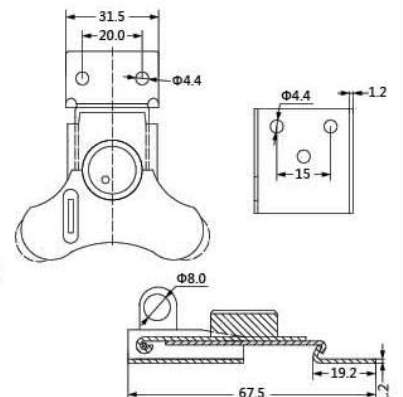
**MODEL:J801**



**名称:** 蝴蝶锁  
**材质:** 铁  
**表面处理:** 镀铬  
**产品净重:** 91.5g  
**承重:** 50kg  
**包装:** 300套/箱  
**应用范围:** 木箱、航空箱、军用箱

**Item:** butterfly latch  
**Material:** mild steel  
**Finish:** chrome plated  
**Net weight:** 91.5g  
**Bearing capacity:** 50kg  
**Packing:** 300 pcs/ctn  
**Application:** flightcase; box, transportation equipment; Military Box

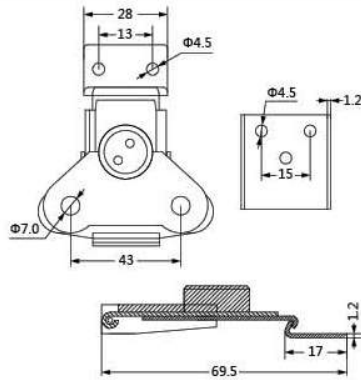
**MODEL:J802**



**名称:** 蝴蝶锁  
**材质:** 铁  
**表面处理:** 镀铬  
**产品净重:** 96.9g  
**承重:** 60kg  
**包装:** 300套/箱  
**应用范围:** 木箱、航空箱、军用箱

**Item:** butterfly latch  
**Material:** mild steel  
**Finish:** chrome plated  
**Net weight:** 96.9g  
**Bearing capacity:** 60kg  
**Packing:** 300 pcs/ctn  
**Application:** flightcase; box, transportation equipment; Military Box

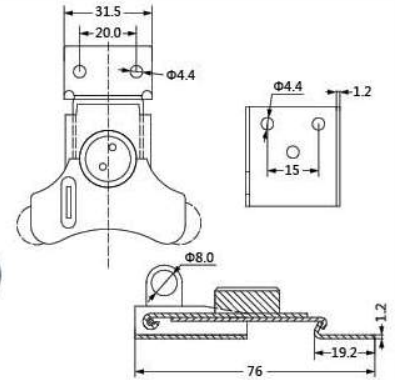
**MODEL:J803**



名称：蝴蝶锁  
 材质：铁  
 表面处理：镀铬  
 产品净重：99.3g  
 承重：50kg  
 包装：300套/箱  
 应用范围：木箱、航空箱、军用箱

Item : butterfly latch  
 Material : mild steel  
 Finish : chrome plated  
 Net weight : 99.3g  
 Bearing capacity : 50kg  
 Packing : 300 pcs/ctn  
 Application : flightcase ; box, transportation equipment ; Military Box

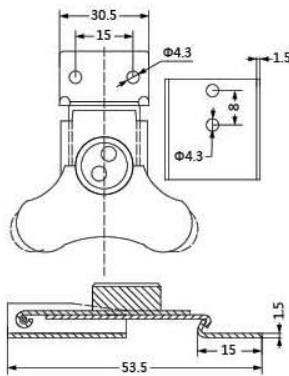
**MODEL:J804**



名称：蝴蝶锁  
 材质：铁  
 表面处理：镀铬  
 产品净重：104.7g  
 承重：50kg  
 包装：300套/箱  
 应用范围：木箱、航空箱、军用箱

Item : butterfly latch  
 Material : mild steel  
 Finish : chrome plated  
 Net weight : 104.7g  
 Bearing capacity : 50kg  
 Packing : 300 pcs/ctn  
 Application : flightcase ; box, transportation equipment ; Military Box

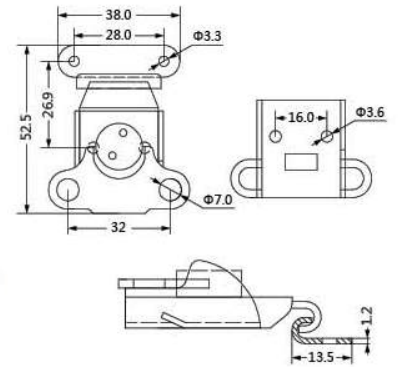
**MODEL:J806/J806A**



名称：蝴蝶锁  
 材质：铁  
 表面处理：镀铬  
 产品净重：63g  
 承重：40kg  
 包装：500套/箱  
 应用范围：木箱、航空箱、军用箱

Item : butterfly latch  
 Material : mild steel  
 Finish : chrome plated  
 Net weight : 63g  
 Bearing capacity : 40kg  
 Packing : 500 pcs/ctn  
 Application : flightcase ; box, transportation equipment ; Military Box

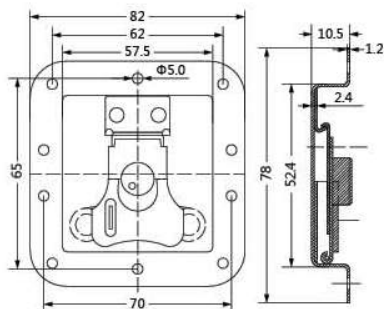
**MODEL:J808**



名称：蝴蝶锁  
 材质：铁  
 表面处理：镀铬  
 产品净重：55.6g  
 承重：30kg  
 包装：500套/箱  
 应用范围：木箱、航空箱、军用箱

Item : butterfly latch  
 Material : mild steel  
 Finish : chrome plated  
 Net weight : 55.6g  
 Bearing capacity : 30kg  
 Packing : 500 pcs/ctn  
 Application : flightcase ; box, transportation equipment ; Military Box

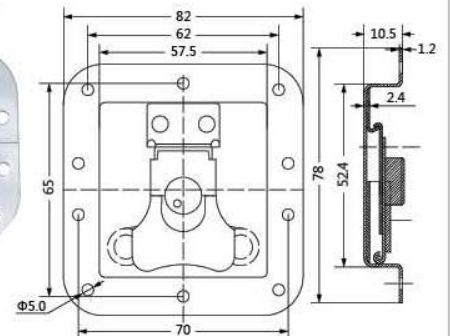
**MODEL:J901**



名称：航空箱扣  
 材质：铁  
 表面处理：镀铬  
 产品净重：129g  
 承重：50kg  
 包装：50套/箱  
 应用范围：工具箱、木箱、航空箱；音乐箱、军用箱

Item : butterfly latch  
 Material : mild steel  
 Finish : chrome Plated  
 Net weight : 129g  
 Bearing capacity : 50kg  
 Packing : 50pcs/ctn  
 Application : flightcase ; box, transportation equipment ; Military Box

**MODEL:J902**



名称：航空箱扣  
 材质：铁  
 表面处理：镀铬  
 产品净重：128.8g  
 承重：60kg  
 包装：50套/箱  
 应用范围：工具箱、木箱、航空箱；音乐箱、军用箱

Item : butterfly latch  
 Material : mild steel  
 Finish : chrome Plated  
 Net weight : 128.8g  
 Bearing capacity : 60kg  
 Packing : 50pcs/ctn  
 Application : flightcase ; box, transportation equipment ; Military Box

**MODEL:J903**

名称：航空箱扣  
 材质：铁  
 表面处理：镀铬  
 产品净重：223g  
 承重：100kg  
 包装：50套/箱  
 应用范围：工具箱、木箱、航空箱；  
 音乐箱、军用箱

Item : butterfly latch  
 Material : mild steel  
 Finish: chrome Plated  
 Net weight : 223g  
 Bearing capacity : 100kg  
 Packing :50 pcs/ctn  
 Application : flightcase ; box,  
 transportation equipment ;Military Box

**MODEL:J907**

名称：航空箱扣  
 材质：铁  
 表面处理：镀铬  
 产品净重：230g  
 承重：100kg  
 包装：50套/箱  
 应用范围：工具箱、木箱、航空箱；  
 音乐箱、军用箱

Item : butterfly latch  
 Material : mild steel  
 Finish: chrome Plated  
 Net weight : 230g  
 Bearing capacity : 100kg  
 Packing :50 pcs/ctn  
 Application : flightcase ; box,  
 transportation equipment ;Military Box

**MODEL:J908**

名称：航空箱扣  
 材质：铁  
 表面处理：镀铬  
 产品净重：228.3g  
 承重：100kg  
 包装：50套/箱  
 应用范围：工具箱、木箱、航空箱；  
 音乐箱、军用箱

Item : butterfly latch  
 Material : mild steel  
 Finish: chrome Plated  
 Net weight : 228.3g  
 Bearing capacity :100kg  
 Packing :50 pcs/ctn  
 Application : flightcase ; box,  
 transportation equipment ;Military Box

**MODEL:J909**

名称：航空箱扣  
 材质：铁  
 表面处理：镀铬  
 产品净重：222.8g  
 承重：100kg  
 包装：50套/箱  
 应用范围：工具箱、木箱、航空箱；  
 音乐箱、军用箱

Item : butterfly latch  
 Material : mild steel  
 Finish: chrome Plated  
 Net weight : 222.8g  
 Bearing capacity : 100kg  
 Packing :50 pcs/ctn  
 Application : flightcase ; box,  
 transportation equipment ;Military Box

**MODEL:J910 压级位**

名称：航空箱扣  
 材质：铁  
 表面处理：镀铬  
 产品净重：225g  
 承重：100kg  
 包装：50套/箱  
 应用范围：工具箱、木箱、航空箱；  
 音乐箱、军用箱

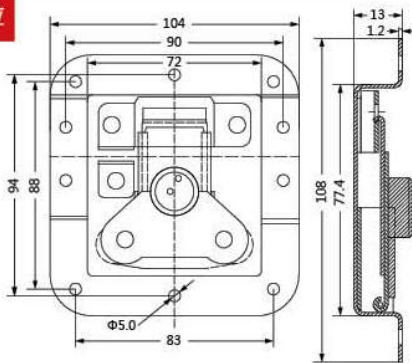
Item : butterfly latch  
 Material : mild steel  
 Finish: chrome Plated  
 Net weight :225g  
 Bearing capacity :100kg  
 Packing :50 pcs/ctn  
 Application : flightcase ; box,  
 transportation equipment ;Military Box

**MODEL:J911**

名称：航空箱扣  
 材质：铁  
 表面处理：镀铬  
 产品净重：219g  
 承重：100kg  
 包装：50套/箱  
 应用范围：工具箱、木箱、航空箱；  
 音乐箱、军用箱

Item : butterfly latch  
 Material : mild steel  
 Finish: chrome Plated  
 Net weight : 219g  
 Bearing capacity : 100kg  
 Packing :50 pcs/ctn  
 Application : flightcase ; box,  
 transportation equipment ;Military Box

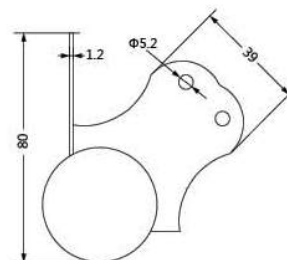
**MODEL:J912 压级位**



名称：航空箱扣  
 材质：铁  
 表面处理：镀铬  
 产品净重：219g  
 承重：100kg  
 包装：50套/箱  
 应用范围：工具箱、木箱、航空箱；  
 音乐箱、军用箱

Item : butterfly latch  
 Material : mild steel  
 Finish: chrome Plated  
 Net weight: 219g  
 Bearing capacity :100kg  
 Packing :50 pcs/ctn  
 Application : flightcase ; box,  
 transportation equipment ;Military Box

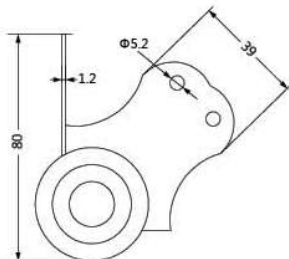
**MODEL:压痕包角 (圆球)**



型号：压痕包角 (圆球)  
 材质：铁  
 表面处理：  
 铁：镀铬  
 产品净重：72.2g  
 包装：200套/箱  
 应用范围：工具箱、木箱、航空箱、  
 音乐箱、军用箱

Model : Ball corner protector A  
 Material : mild steel  
 Finish: chrome Plated  
 Net weight:72.2g  
 Packing : 200 pcs/ctn  
 Application : flight case ; box,  
 transportation equipment ;Military Box

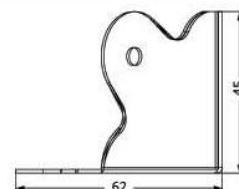
**MODEL:压痕包角 (压凹)**



型号：压痕包角 (压凹)  
 材质：铁  
 表面处理：  
 铁：镀铬  
 产品净重：70.3g  
 包装：200套/箱  
 应用范围：工具箱、木箱、航空箱、  
 音乐箱、军用箱

Model : Ball corner protector B  
 Material : mild steel  
 Finish: chrome Plated  
 Net weight:70.3g  
 Packing : 200 pcs/ctn  
 Application : flight case ; box,  
 transportation equipment ;Military Box

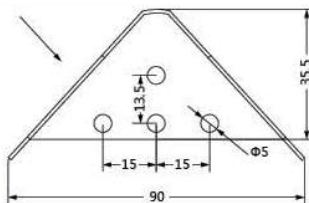
**MODEL:平面三叉包角**



型号：平面三叉包角  
 材质：铁  
 表面处理：  
 铁：镀铬  
 产品净重：38g  
 包装：600套/箱  
 应用范围：工具箱、木箱、家具

Model : Corner protector C  
 Material : mild steel  
 Finish: chrome Plated  
 Net weight:38g  
 Packing : 600 pcs/ctn  
 Application : toolbox; furniture  
 transportation equipment

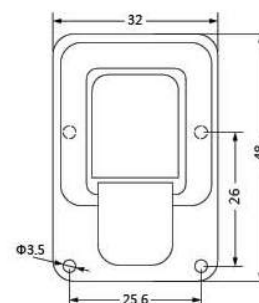
**MODEL:角码**



型号：角码  
 材质：铁  
 表面处理：镀镍  
 产品净重：29g  
 包装：1000套/箱  
 应用范围：工具箱、木箱、家具

Model : Corner protector D  
 Material : mild steel  
 Finish: Nickel plated  
 Net weight:29g  
 Packing : 1000 pcs/ctn  
 Application : toolbox; furniture  
 transportation equipment

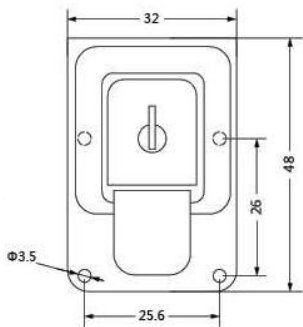
**MODEL:J401**



名称：箱包扣  
 材质：铁  
 表面处理：  
 铁：镀铬  
 产品净重：18.9g  
 承重：20kg  
 包装：500套/箱  
 应用范围：航空箱、军用箱、工具箱

Item : latch  
 Material : mild steel  
 Finish: chrome Plated  
 Net weight : 18.9g  
 Bearing capacity : 20kg  
 Packing :500 pcs/ctn  
 Application : flightcase ; box,  
 transportation equipment ;Military Box

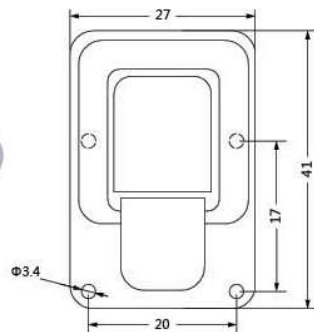
**MODEL:J402**



名称：箱包扣  
 材质：铁  
 表面处理：  
 铁：镀铬  
 产品净重：22.6g  
 承重：20kg  
 包装：500套/箱  
 应用范围：航空箱、军用箱、工具箱

Item : latch  
 Material : mild steel  
 Finish : chrome Plated  
 Net weight :22.6g  
 Bearing capacity : 20kg  
 Packing :500 pcs/ctn  
 Application : flightcase ; box,  
 transportation equipment ;Military Box

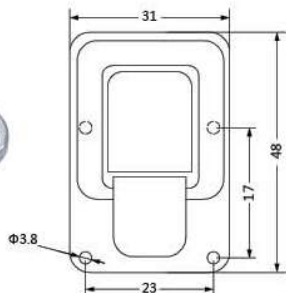
**MODEL:J403**



名称：箱包扣  
 材质：铁  
 表面处理：  
 铁：镀铬  
 产品净重：12.4g  
 承重：20kg  
 包装：1000套/箱  
 应用范围：航空箱、军用箱、工具箱

Item : latch  
 Material : mild steel  
 Finish : chrome Plated  
 Net weight : 12.4g  
 Bearing capacity : 20kg  
 Packing :1000 pcs/ctn  
 Application : flightcase ; box,  
 transportation equipment ;Military Box

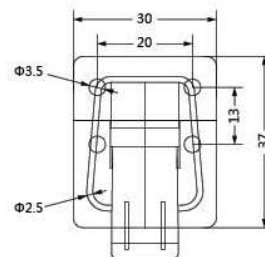
**MODEL:J404**



名称：箱包扣  
 材质：铁  
 表面处理：  
 铁：镀铬  
 产品净重：20.1g  
 承重：20kg  
 包装：500套/箱  
 应用范围：航空箱、军用箱、工具箱

Item : latch  
 Material : mild steel  
 Finish : chrome Plated  
 Net weight : 20.1g  
 Bearing capacity : 20kg  
 Packing :500 pcs/ctn  
 Application : flightcase ; box,  
 transportation equipment ;Military Box

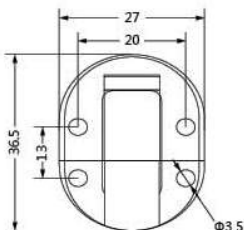
**MODEL:J405**



名称：箱包扣  
 材质：铁  
 表面处理：  
 铁：镀铬  
 产品净重：13.1g  
 承重：20kg  
 包装：1000套/箱  
 应用范围：航空箱、军用箱、工具箱

Item : latch  
 Material : mild steel  
 Finish : chrome Plated  
 Net weight : 13.1g  
 Bearing capacity : 20kg  
 Packing :1000 pcs/ctn  
 Application : flightcase ; box,  
 transportation equipment ;Military Box

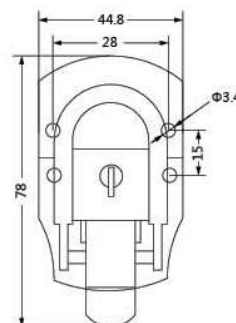
**MODEL:J406**



名称：箱包扣  
 材质：铁  
 表面处理：  
 铁：镀铬  
 产品净重：12.8g  
 承重：20kg  
 包装：1000套/箱  
 应用范围：航空箱、军用箱、工具箱

Item : latch  
 Material : mild steel  
 Finish : chrome Plated  
 Net weight : 12.8g  
 Bearing capacity : 20kg  
 Packing :1000 pcs/ctn  
 Application : flightcase ; box,  
 transportation equipment ;Military Box

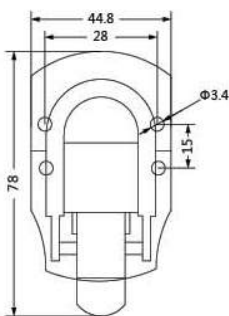
**MODEL:J407**



名称：箱包扣  
 材质：铁  
 表面处理：  
 铁：镀铬  
 产品净重：53.2g  
 承重：30kg  
 包装：300套/箱  
 应用范围：航空箱、军用箱、工具箱

Item : latch  
 Material : mild steel  
 Finish : chrome Plated  
 Net weight : 53.2g  
 Bearing capacity : 30kg  
 Packing :300 pcs/ctn  
 Application : flightcase ; box,  
 transportation equipment ;Military Box

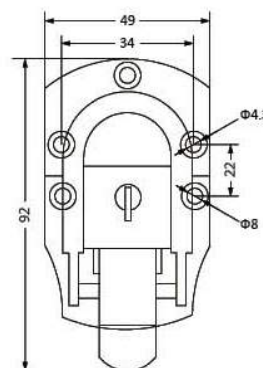
**MODEL:J408**



名称：箱包扣  
 材质：铁  
 表面处理：  
 铁：镀铬  
 产品净重：40g  
 承重：30kg  
 包装：400套/箱  
 应用范围：航空箱、军用箱、工具箱

Item : latch  
 Material : mild steel  
 Finish : chrome Plated  
 Net weight : 40g  
 Bearing capacity : 30kg  
 Packing : 400 pcs/ctn  
 Application : flightcase ; box,  
 transportation equipment ;Military Box

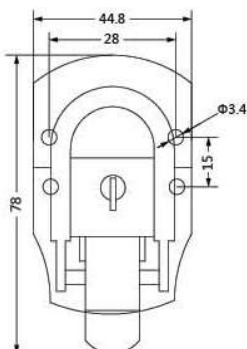
**MODEL:J409**



名称：箱包扣  
 材质：铁  
 表面处理：  
 铁：镀铬  
 产品净重：75.5g  
 承重：30kg  
 包装：300套/箱  
 应用范围：航空箱、军用箱、工具箱

Item : latch  
 Material : mild steel  
 Finish : chrome Plated  
 Net weight : 75.5g  
 Bearing capacity : 30kg  
 Packing : 300 pcs/ctn  
 Application : flightcase ; box,  
 transportation equipment ;Military Box

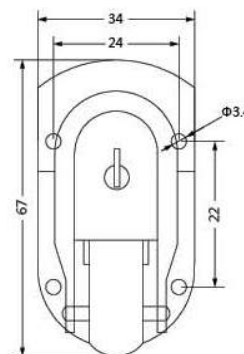
**MODEL:J410**



名称：箱包扣  
 材质：铁  
 表面处理：  
 铁：镀铬  
 产品净重：54.5g  
 承重：20kg  
 包装：300套/箱  
 应用范围：航空箱、军用箱、工具箱

Item : latch  
 Material : mild steel  
 Finish : chrome Plated  
 Net weight : 54.5g  
 Bearing capacity : 20kg  
 Packing : 300 pcs/ctn  
 Application : flightcase ; box,  
 transportation equipment ;Military Box

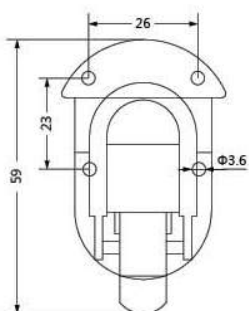
**MODEL:J411**



名称：箱包扣  
 材质：铁  
 表面处理：  
 铁：镀铬  
 产品净重：41g  
 承重：30kg  
 包装：500套/箱  
 应用范围：航空箱、军用箱、工具箱

Item : latch  
 Material : mild steel  
 Finish : chrome Plated  
 Net weight : 41g  
 Bearing capacity : 30kg  
 Packing : 500 pcs/ctn  
 Application : flightcase ; box,  
 transportation equipment ;Military Box

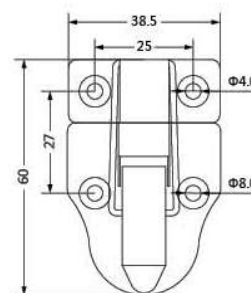
**MODEL:J412**



名称：箱包扣  
 材质：铁  
 表面处理：  
 铁：镀铬  
 产品净重：24.8g  
 承重：30kg  
 包装：500套/箱  
 应用范围：航空箱、军用箱、工具箱

Item : latch  
 Material : mild steel  
 Finish : chrome Plated  
 Net weight : 24.8g  
 Bearing capacity : 30kg  
 Packing : 500 pcs/ctn  
 Application : flightcase ; box,  
 transportation equipment ;Military Box

**MODEL:J413**



名称：箱包扣  
 材质：铁  
 表面处理：  
 铁：镀铬  
 产品净重：21.1g  
 承重：30kg  
 包装：500套/箱  
 应用范围：航空箱、军用箱、工具箱

Item : latch  
 Material : mild steel  
 Finish : chrome Plated  
 Net weight : 21.1g  
 Bearing capacity : 30kg  
 Packing : 500 pcs/ctn  
 Application : flightcase ; box,  
 transportation equipment ;Military Box



**ROCHE**

— 洛氏 —